

Automatic Urinal Flushing Units SLP 02K, SLP 06K



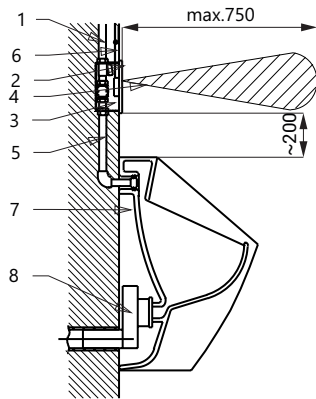
SLP 02K

Characteristics

- system reacts to the user attendance in front of the urinal at a maximum distance of 0,7 m, minimum stay time in active range is 7,5 s
- water flows after the user leaves active range
- adjustable flushing time 0,5 - 15,5 s
- parameters adjustment by remote control SLD 03
- automatic hygiene flushing after 24 hours non-use
- monitoring of battery capacity (SLP 06K)
- possibility to regulate a water flow by the ball valve

Installation Drawing

- 1 - water supply
- 2 - stainless steel cover with electronics
- 3 - mounting box
- 4 - active range
- 5 - connection with urinal
- 6 - power supply
- 7 - urinal
- 8 - siphon



Technical Specification

| | |
|--|----------------------|
| Stainless steel cover dimension | 170 x 170 x 10 mm |
| Mounting box dimension | 140 x 140 x 75 mm |
| Operating voltage | |
| ▪ SLP 02K | 24 V DC |
| ▪ SLP 02KZ | 230 V AC/50 Hz |
| ▪ SLP 06K | 6 V |
| Power input | |
| ▪ operating by 24 V DC | 7 W |
| ▪ operating by 6 V | 3 W |
| Active range | 0,6 - 0,75 m |
| Recommended flow pressure | 0,1 - 0,6 MPa |
| Rate of flow | 18 l/min (inf. data) |
| Water inlet | male thread G 3/4" |
| Water outlet | male thread G 3/4" |

Supply Specification

| | | |
|----------|--------------------|---|
| SLP 02K | - Supply No. 01022 | stainless steel cover with electronics, plastic mounting box with brass screw |
| SLP 02KZ | - Supply No. 01023 | coupling, electromagnetic valve and ball valve, power supply (SLP 02KZ), |
| SLP 06K | - Supply No. 01062 | 4 pcs. AA alkaline batteries 1,5 V 2700 mAh (SLP 06K) |

Recommended Accessories

| | | |
|---------|--------------------|---|
| SLZ 01Y | - Supply No. 05012 | power supply 24 V DC for operating of max. 5 pcs. of flushing units |
| SLZ 01Z | - Supply No. 05011 | power supply 24 V DC for operating of max. 9 pcs. of flushing units |
| SLZ 04Y | - Supply No. 05042 | power supply 24 V DC on DIN rail, for operating of max. 5 pcs. of flushing units |
| SLZ 04Z | - Supply No. 05041 | power supply 24 V DC on DIN rail, for operating of max. 9 pcs. of flushing units |
| SLZ 04X | - Supply No. 10049 | power supply 24 V DC on DIN rail, for operating of max. 15 pcs. of flushing units |
| SLZ 06 | - Supply No. 05060 | power supply 24 V DC for operating of max. 1 pc. of flushing unit |
| SLD 03 | - Supply No. 07030 | remote control for an adjustment of parameters |
| SLA 02 | - Supply No. 06020 | inlet fitting with a rubber seal for the urinals with back water inlet |
| SLR 02 | - Supply No. 08020 | mounting frame to the plasterboard for urinal and flushing unit, which is placed above the urinal |
| SLA 36 | - Supply No. 06360 | set of 4 pcs. alkaline batteries AA 1,5 V, 2700 mAh (SLP 06K) |