

Stainless Steel Hand Dryers SLO 02E, SLO 02M

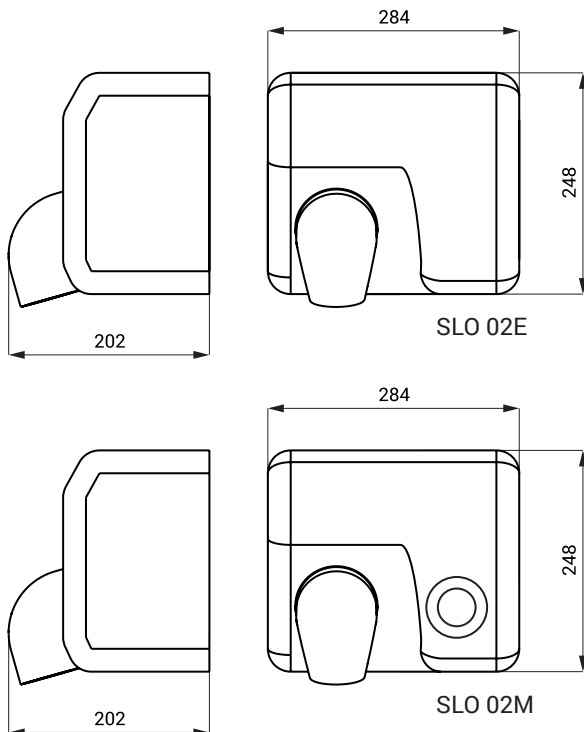


SLO 02M

Characteristics

- electric hand dryers
- **SLO 02E** - air is flowing as long as hands are in the active range, adjustable time 3 - 33 s, standard 20 s
- **SLO 02M** - air is flowing after mechanical switch on by push of the button in front side of the dryer, adjustable time 20 - 180 s
- revolving chromed air outlet, that enable face or hair drying
- brushed finish

Dimension



Technical Specification

Dimension	248 x 284 x 202 mm
Operating voltage	230 V/50 Hz
Power input	2400 W
Air flow	100 km/h
Protection	class I, IPX 1
Weight	7 kg
Noise level	< 80 dB

Supply Specification

SLO 02M	- Supply No. 79023	mechanical hand dryer with stainless steel brushed cover and push button on the front
SLO 02E	- Supply No. 79024	wall automatic hand dryer with stainless steel brushed cover