

Automatic Wall-mounted Tap with Soap Dispenser Behind Mirror SLZN 84F

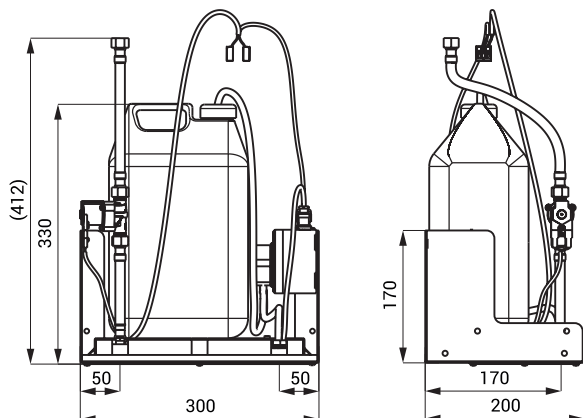


Characteristics



- economical aerator, rate of flow 6 l/min
- hygienic flush
- lead free
- automatic wall-mounted tap with soap dispenser behind mirror with electronics ALS
- inner plastic container ABS
- mounting behind mirror
- easy soap refilling
- soap economy
- one dose of soap is flowing as hands are in the active range under the mirror (can be set in range 1,3 - 13 s), standard 2,6 s
- use in the public sector, container for soap 5 l
- tap is destined for cold or premixed water
- water if flowing as long as hands are in the active range under the mirror
- water stops flowing after removal of hands from the active range sensor after adjustable time delay (can be set in range 0,25 – 7,75 s)
- function of automatic water stop after 5 minut of continuous flow
- START/STOP program
- parameter adjustment using by the remote control SLD 03
- material stainless steel AISI 304 (1.4301)

Dimensions



Technical Specification

Dimensions	330 x 200 x 300 mm
Weight	2,8 kg
Thickness of stainless steel material	1 mm
Volume	5 l
Operating voltage	24 V DC
Power input	10 W
Active range of the tap	
▪ standard	0,13 - 0,19 m
▪ START/STOP program	0,05 - 0,15 m
Recommended flow pressure	0,1 - 0,6 MPa
Rate of flow	6 l/min. (inf. data)
Water inlet	male thread G 1/2"
Active range of the soap dispenser	0,14 - 0,2 m
Recommended soap viscosity	10 mPa*s - 5000 mPa*s
(don't use chemical solvents and disinfection)	

Supply Specification

SLZN 84F - Supply No. 85842 stainless steel mounting holder with spout, soap dispenser and electronics, solenoid valve, coupling hoses, angle valve with filter, inlet hoses, pump for liquid soap, container for soap 5 l

Recommended Accessories

SLZ 01Y - Supply No. 05012	power supply 24 V DC for operatin of max. 3 pcs. of taps with soap dispensers
SLZ 01Z - Supply No. 05011	power supply 24 V DC for operatin of max. 6 pcs. of taps with soap dispensers
SLZ 04Y - Supply No. 05042	power supply 24 V DC for DIN rail, for operatin of max. 3 pcs. of taps with soap dispensers
SLZ 04Z - Supply No. 05041	power supply 24 V DC for DIN rail, for operatin of max. 6 pcs. of taps with soap dispensers
SLZ 04X - Supply No. 10049	power supply 24 V DC for DIN rail, for operatin of max. 10 pcs. of taps with soap dispensers
SLZ 06 - Supply No. 05060	power supply 24 V DC pro max. 1 pc. of tap with dispenser
SLD 03 - Supply No. 07030	remote control for an adjustment of parameters