

Automatic Black Stainless Steel Wall-mounted Soap Dispenser SLZN 83EVR

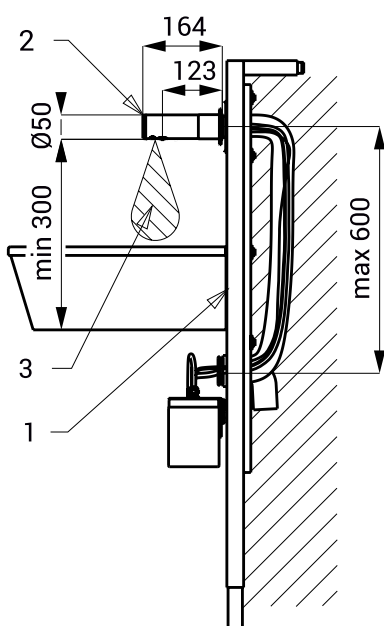


SLZN 83EVR

Characteristics

- easy soap refilling
- soap economy
- one dose of soap is flowing as hands are in the active range of the sensor (can be set in range 1,3 - 13 s), standard 2,6 s
- suitable for private places; container for soap 1 l
- parameters adjustment using by the remote control SLD 03
- including the mounting frame SLR 24

Installation Drawing

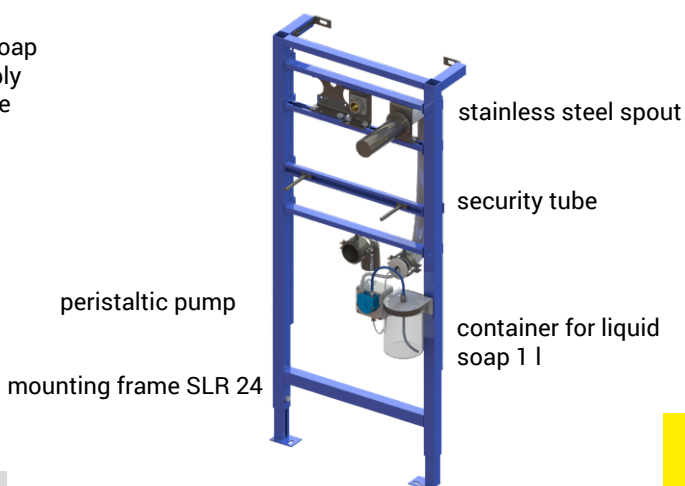


- 1 - mounting frame with soap supply and power supply 24 V DC in security tube
 2 - stainless steel spout
 3 - active range

Technical Specification

Operating voltage	230 V AC
Power input	3 W
Active range	0,11 - 0,15 m
Recommended soap viscosity	10 mPa*s - 5000 mPa*s

(don't use chemical solvents and disinfection)



Supply Specification

SLZN 83EVR - Supply No. 85839 black stainless steel spout with electronics, grip plate, inlet hoses and cables, security tube 80 cm, peristaltic pump for liquid soap and container for liquid soap 1 l, SLZ 07 - wall socket power supply 230 V AC/ 24 V DC, mounting frame SLR 24

Recommended Accessories

SLD 03	- Supply No. 07030	remote control for an adjustment of parameters
SLZ 01Y	- Supply No. 05012	power supply 24 V DC for operating of max. 10 pcs. of soap dispensers
SLZ 01Z	- Supply No. 05011	power supply 24 V DC for operating of max. 20 pcs. of soap dispensers
SLZ 04Y	- Supply No. 05042	power supply 24 V DC for DIN rail, for operating of max. 10 pcs. of soap dispensers
SLZ 04Z	- Supply No. 05041	power supply 24 V DC for DIN rail, for operating of max. 20 pcs. of soap dispensers
SLZ 04X	- Supply No. 10049	power supply 24 V DC for DIN rail, for operating of max. 30 pcs. of soap dispensers