

# Automatic Washbasin Taps SLU 56V, SLU 57V

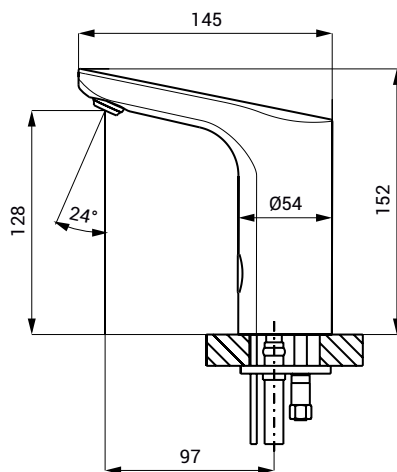


## Characteristics



- economical aerator, rate of flow 6 l/min
- hygienic flush
- SLU 56V is destined for cold or premixed water
- SLU 57V is destined for cold and hot water, temperature is regulated by angle valves
- water is flowing as long as hands are in the active range
- water stops flowing after removal of hands from the active range of sensor after adjustable time delay (can be set in range 0,25 – 7,75 s)
- function of automatic water stop after 5 minut of continuous flow
- monitoring of battery capacity (for models with index B)
- START/STOP program
- parameter adjustment using by the remote control SLD 03

## Dimensions



## Technical Specification

<b>Dimensions</b>	152 x 145 mm
<b>Weight</b>	
▪ SLU 56V	1,5 kg
▪ SLU 57V	1,74 kg
▪ SLU 56VB	1,62 kg
▪ SLU 57VB	1,86 kg
<b>Operating voltage</b>	
▪ SLU 56V, SLU 57V	24 V DC
▪ SLU 56VB, SLU 57VB	6 V
<b>Power input</b>	
▪ operating by 24 V DC	7 W
▪ operating by 6 V	3 W
<b>Battery life</b>	
▪ 4 pcs. AA alkaline batteries AA, 1,5 V, 2700 mAh	approx. 2 years (100 uses per day)
<b>Active range</b>	
▪ standard	0,13 - 0,19 m
▪ START/STOP program	0,05 - 0,15 m
<b>Recommended flow pressure</b>	0,1 - 0,6 MPa
<b>Rate of flow</b>	6 l/min. (inf. data)
<b>Water inlet</b>	male thread G 1/2"

## Supply Specification

<b>SLU 56V</b> - Supply No. 03561	faucet with an electronics, electromagnetic valve (1 pc.), connecting hoses,
<b>SLU 56VB</b> - Supply No. 03566	angle valve with filter (1 pc.), 4 pcs. AA alkaline batteries 1,5 V, 2700 mAh with battery case (SLU 56VB)
<b>SLU 57V</b> - Supply No. 03571	faucet with an electronics, electromagnetic valve (1 pc.), Y-piece, connecting hoses,
<b>SLU 57VB</b> - Supply No. 03576	angle valve with filter and check valve (2 pcs.), 4 pcs. AA alkaline batteries 1,5 V, 2700 mAh with battery case (SLU 57VB)

## Recommended Accessories

<b>SLZ 01Y</b> - Supply No. 05012	power supply 24 V DC for operating of max. 5 pcs. of washbasin taps
<b>SLZ 01Z</b> - Supply No. 05011	power supply 24 V DC for operating of max. 9 pcs. of washbasin taps
<b>SLZ 04Y</b> - Supply No. 05042	power supply 24 V DC for DIN rail, for operating of max. 5 pcs. of washbasin taps
<b>SLZ 04Z</b> - Supply No. 05041	power supply 24 V DC for DIN rail, for operating of max. 9 pcs. of washbasin taps
<b>SLZ 04X</b> - Supply No. 10049	power supply 24 V DC for DIN rail, for operating of max. 15 pcs. of washbasin taps
<b>SLZ 06</b> - Supply No. 05060	power supply 24 V DC for operating of max. 1 pc. of washbasin tap
<b>SLD 03</b> - Supply No. 07030	remote control for an adjustment of parameters
<b>SLT 04</b> - Supply No. 09040	thermostatic valve 3/4", rate of flow 28 l/min by the pressure 0,1 MPa
<b>SLT 05</b> - Supply No. 09050	thermostatic valve 1/2", rate of flow 42 l/min by the pressure 0,1 MPa
<b>SLA 36</b> - Supply No. 06360	set of 4 pcs. alkaline batteries AA, 1,5 V, 2700 mAh (for models with index B)
<b>SLA 55A</b> - Supply No. 06550	economical aerator 3,8 l/min
<b>SLA 55B</b> - Supply No. 06551	economical aerator 1,9 l/min