

# Automatic Washbasin Mixer SLU 37



**SANELA**   
we make water cool®

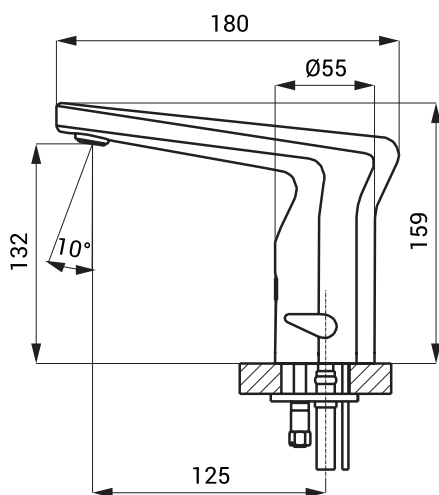
## Characteristics



- includes Bluetooth control (Sanela Control app available for download)
- economical aerator, rate of flow 6 l/min
- hygienic flush
- possibility of water temperature adjustment by mixer and follow-up plug by cover
- electromagnetic valve is in the tap body
- is destined for cold and hot water, temperature is regulated by mixer
- water is flowing as long as hands are in the active range
- water stops flowing after removal of hands from the active range of sensor after adjustable time delay (can be set in range 0,25 – 7,75 s)
- function of automatic water stop after 5 minut of continuous flow
- monitoring of battery capacity (for models with index B)
- START/STOP program
- parameter setting and communication with the electronics via the Sanela Control app (Bluetooth) or the SLD 03



## Dimensions



## Technical Specification

<b>Dimensions</b>	180 x 159 mm
<b>Weight</b>	
▪ SLU 37	2,46 kg
▪ SLU 37B	2,58 kg
<b>Operating voltage</b>	
▪ SLU 37	24 V DC
▪ SLU 37B	6 V
<b>Power input</b>	
▪ operating by 24 V DC	2 W
▪ operating by 6 V	2 W
<b>Battery life</b>	
▪ 4 pcs. AA alkaline batteries	approx. 2 years
AA, 1,5 V, 2700 mAh	(100 uses per day)
<b>Active range</b>	
▪ standard	0,13 - 0,19 m
▪ START/STOP program	0,05 - 0,15 m
<b>Recommended flow pressure</b>	0,1 - 0,6 MPa
<b>Rate of flow</b>	6 l/min. (inf. data)
<b>Water inlet</b>	male thread G 1/2"

## Supply Specification

SLU 37	- Supply No. 03370	faucet with mixer, electronics including Bluetooth module and solenoid valve, coupling hoses, angle valve with filter and check valve (2 pcs.), cover for temperature mixer,
SLU 37B	- Supply No. 03375	4 pcs. AA alkaline batteries 1,5 V, 2700 mAh with battery case (SLU 37B)

## Recommended Accessories

SLZ 01Y	- Supply No. 05012	power supply 24 V DC for operating of max. 10 pcs. of washbasin taps
SLZ 01Z	- Supply No. 05011	power supply 24 V DC for operating of max. 20 pcs. of washbasin taps
SLZ 04Y	- Supply No. 05042	power supply 24 V DC for DIN rail, for operating of max. 10 pcs. of washbasin taps
SLZ 04Z	- Supply No. 05041	power supply 24 V DC for DIN rail, for operating of max. 20 pcs. of washbasin taps
SLZ 04X	- Supply No. 10049	power supply 24 V DC for DIN rail, for operating of max. 30 pcs. of washbasin taps
SLZ 06	- Supply No. 05060	power supply 24 V DC for operating of max. 1 pc. of washbasin tap
SLD 03	- Supply No. 07030	remote control for an adjustment of parameters
SLA 36	- Supply No. 06360	set of 4 pcs. alkaline batteries AA, 1,5 V, 2700 mAh (for models with index B)
SLA 57A	- Supply No. 06570	economical aerator 3,8 l/min
SLA 57B	- Supply No. 06571	economical aerator 1,9 l/min
SANELA CONTROL APP		available for download on the App Store and Play Store