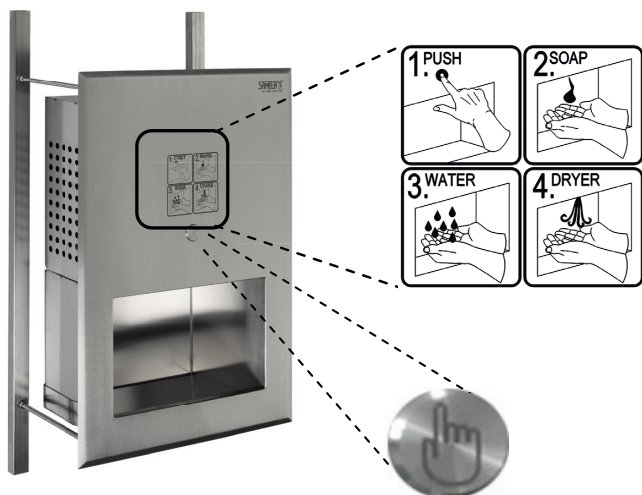


# Stainless Steel Piezo Multiple Washbasin SLUN 70H



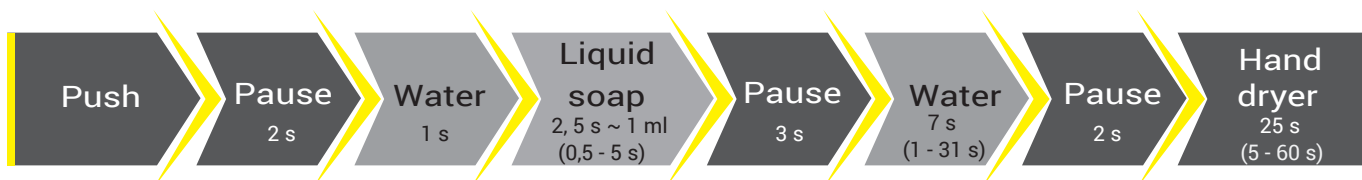
SLUN 70H

## Characteristics

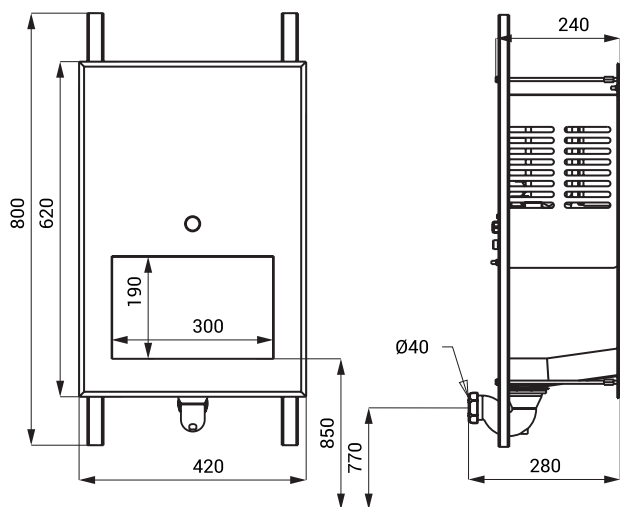


- hygienic flush
- vandal-proof
- suitable for prison
- stainless steel recessed multiple washbasin with integrated piezo electronics for soap dispenser, water outlet and hand dryer in one
- rear assembling by screws (M10, length 190 mm) from the service room
- water flows after soft push of the piezo button
- liquid soap refilling from the service room
- parameter adjustment using by the remote control SLD 07
- material AISI - 304
- brushed finish

Function system:



## Dimensions



## Technical Specification

Operating voltage	230 V AC/50 Hz
Recommended flow pressure	0,1 - 0,6 MPa
Water flow	6 l/min. (inf. data)
Water inlet	male thread G 1/2"
Volume	< 65 dB

## Supply Specification

SLUN 70H - Supply No. 73701

stainless steel multiple washbasin with piezo electronics, integrated soap dispenser, water outlet and hand dryer, siphon, mounting set, flexible cabel with plug for wall socket 230 V/50 Hz

## Recommended Accessories

SLD 07 - Supply No. 07070

remote control for an adjustment of parameters