

Stainless Steel Bath Tub SLSN 11

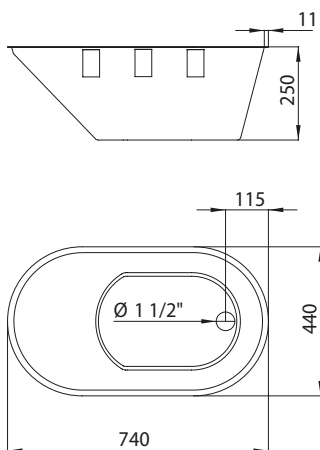


Characteristics



- suitable for medical facilities
- stainless steel baby bath tub for recessed mounting
- volume 40 l
- material AISI - 304
- brushed finish

Dimensions



Supply Specification

SLSN 11 - Supply No. 92110 stainless steel baby bath tub, siphon