

Automatic Washbasin Mixer SLU 15



SANELA 
we make water cool®

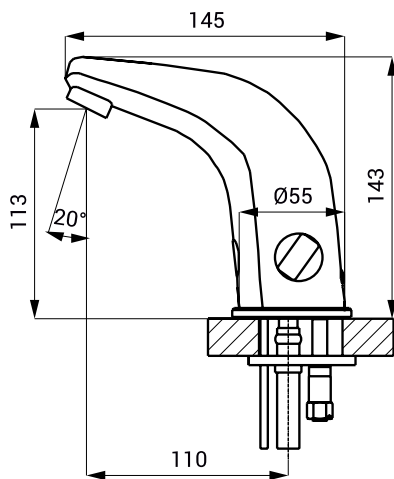


Characteristics



- includes Bluetooth control (paid Sanela Control app available for download)
- economical aerator, rate of flow 6 l/min
- hygienic flush
- is destined for cold and hot water, temperature is regulated by mixer
- water is flowing as long as hands are in the active range
- water stops flowing after removal of hands from the active range of sensor after adjustable time delay (can be set in range 0,25 – 7,75 s)
- function of automatic water stop after 5 minutes of continuous flow
- monitoring of battery capacity (for models with index B)
- START/STOP program
- parameter setting and communication with the electronics via the Sanela Control app (Bluetooth) or the SLD 03

Dimensions



Technical Specification

Dimensions	145 x 143 mm
Weight	
▪ SLU 15	2,36 kg
▪ SLU 15B	2,46 kg
Operating voltage	
▪ SLU 15	24 V DC
▪ SLU 15B	6 V
Power input	
▪ operating by 24 V DC	13 W
▪ operating by 6 V	5 W
Battery life	
▪ 4 pcs. AA alkaline batteries AA, 1,5 V, 2700 mAh	approx. 2 years (100 uses per day)
Active range	
▪ standard	0,13 - 0,19 m
▪ START/STOP program	0,05 - 0,15 m
Recommended flow pressure	0,1 - 0,6 MPa
Rate of flow	6 l/min. (inf. data)
Water inlet	male thread G 1/2"

Supply Specification

SLU 15	- Supply No. 03150	faucet with mixer and electronics including Bluetooth module, solenoid valve (2 pcs.),
SLU 15B	- Supply No. 03155	coupling hoses, angle valve with filter and check valve (2 pcs.), 4 pcs. AA alkaline batteries 1,5 V, 2700 mAh with battery case (SLU 15B)

Recommended Accessories

SLZ 01Y	- Supply No. 05012	power supply 24 V DC for operating of max. 2 pcs. of washbasin taps
SLZ 01Z	- Supply No. 05011	power supply 24 V DC for operating of max. 4 pcs. of washbasin taps
SLZ 04Y	- Supply No. 05042	power supply 24 V DC for DIN rail, for operating of max. 2 pcs. of washbasin taps
SLZ 04Z	- Supply No. 05041	power supply 24 V DC for DIN rail, for operating of max. 4 pcs. of washbasin taps
SLZ 04X	- Supply No. 10049	power supply 24 V DC for DIN rail, for operating of max. 7 pcs. of washbasin taps
SLD 03	- Supply No. 07030	remote control for an adjustment of parameters
SLA 36	- Supply No. 06360	set of 4 pcs. alkaline batteries AA, 1,5 V, 2700 mAh (for models with index B)
SLA 55A	- Supply No. 06550	economical aerator 3,8 l/min
SLA 55B	- Supply No. 06551	economical aerator 1,9 l/min
SANELA CONTROL APP		paid Sanela Control app available for download on the App Store and Google Play