

Stainless Steel Automatic Urinal SLPN 07E



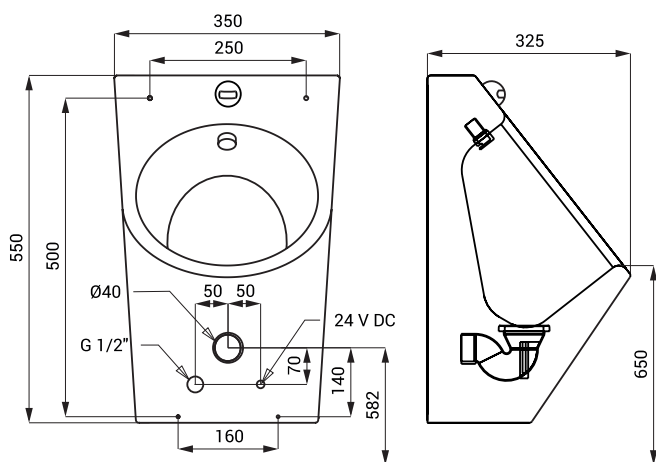
SLPN 07E

Characteristics



- vandal-proof
- stainless steel wall hung urinal with integrated infra-red electronics
- rear assembling through the service hatch and screws
- system reacts to the user attendance in front of the urinal at a maximum distance of 0,7 m, minimum stay time in active range is 7,5 s
- system flushes after leaving of user from active range
- adjustable flushing time 0,5 - 15,5 s
- parameters adjustment by remote control SLD 03
- automatic hygiene flushing after 24 hours non-use
- monitoring of battery capacity (for models with index B)
- material stainless steel AISI 304 (1.4301)
- brushed finish

Dimensions



* for the height of the front edge of the urinal 650 mm above the floor

Technical Specification

Dimensions

- SLPN 07E 550 x 350 x 325 mm
- SLPN 07EB 550 x 350 x 325 mm

Weight

- SLPN 07E 8 kg
- SLPN 07EB 8 kg

Operating voltage

- SLPN 07E 24 V DC
- SLPN 07EB 6 V

Power input

- operating by 24 V DC 7 W
- operating by 6 V 3 W

Battery life

- 4 pcs. AA alkaline batteries approx. 2 years (100 uses per day)
- AA, 1,5 V, 2700 mAh

Active range

- 0,6 - 0,75 m

Recommended flow pressure

- 0,1 - 0,6 MPa

Rate of flow

- 12 l/min. (inf. data)

Water inlet

- male thread G 1/2"

Supply Specification

SLPN 07E - Supply No. 91071
SLPN 07EB - Supply No. 91072

stainless steel urinal with flushing head, sensor head with electronics, solenoid valve (1 pc.), angle valve with a filter, coupling hoses, mounting set, siphon, 4 pcs. AA alkaline batteries 1,5 V, 2700 mAh with battery case (SLPN 07EB)

Recommended Accessories

- | | |
|----------------------------|--|
| SLZ 01Y - Supply No. 05012 | power supply 24 V DC for operating of max. 5 pcs. of flushing units |
| SLZ 01Z - Supply No. 05011 | power supply 24 V DC for operating of max. 9 pcs. of flushing units |
| SLZ 04Y - Supply No. 05042 | power supply 24 V DC for DIN rail, for operating of max. 5 pcs. of flushing units |
| SLZ 04Z - Supply No. 05041 | power supply 24 V DC for DIN rail, for operating of max. 9 pcs. of flushing units |
| SLZ 04X - Supply No. 10049 | power supply 24 V DC for DIN rail, for operating of max. 15 pcs. of flushing units |
| SLZ 06 - Supply No. 05060 | power supply 24 V DC for operating of max. 1 pc. of flushing unit |
| SLD 03 - Supply No. 07030 | remote control for an adjustment of parameters |
| SLR 10 - Supply No. 08100 | mounting frame for stainless steel urinals with built-in flush or stainless steel washbasins |
| SLA 36 - Supply No. 06360 | set of 4 pcs. alkaline batteries AA, 1,5 V, 2700 mAh (for models with index B) |