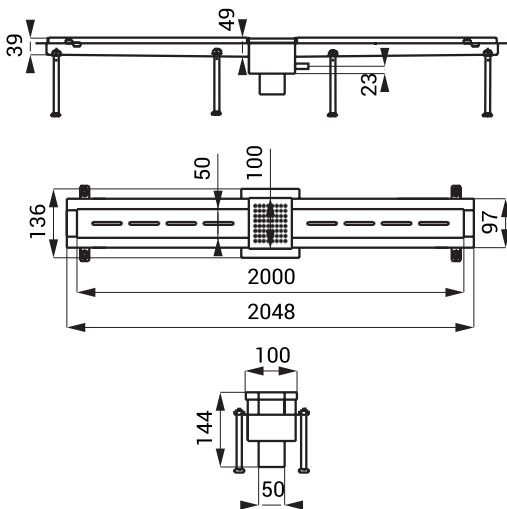


Dimensions



Characteristics

DRAIN

- collar serves for a tight and reliable connection to hydro-isolation
- collar with the frame sealed up against the moisture
- mounting legs (for better seating of the drain to the floor)
- bond screw for connection with bonding conductor
- depression of the drain 1 cm on 1 m
- end strip is not included
- length 2000 mm
- different lengths could be made to order (max. 2400 mm)
- material AISI - 304, AISI - 316L

WASTE OUTLET

- easy removable and cleanable stainless steel waste outlet with a stink trap
- max. one water outlet in 4 meters long drain
- Ø 50 mm, rate of flow 48 l/min
- different dimensions of waste could be made to order
- number of waste could be made to order

GRID

- dimensions of the slit 6 x 50 mm (width x length), safe for children
- material AISI - 304, AISI - 316L
- brushed finish
- high polished finish could be made to order

Supply Specification

- | | | |
|----------|--------------------|---|
| SLKN 01 | - Supply No. 69010 | drain (2 m, AISI - 304), waste outlet with a stink trap, grid, mounting legs, waterproofing tape |
| SLKN 01L | - Supply No. 69017 | drain (2 m, AISI - 316L), waste outlet with a stink trap, grid, mounting legs, waterproofing tape |