

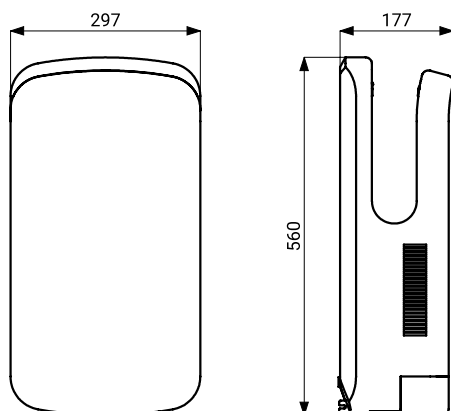
# Automatic touchless hand dryer SLO 01C



## Characteristics

- slot-type electric hand dryer
- responds to the presence of hands in the slot with automatic activation of air flow
- including antibacterial filter with the option to turn off heating
- excess water drains into a tank at the bottom, the floor under the dryer does not get dirty and wet
- brush motor
- material: matte black ABS plastic

## Dimensions



## Technical Specification

<b>Dimensions</b>	297 x 560 x 177 mm
<b>Operating voltage</b>	230 V/50 Hz
<b>Power input</b>	1100-1450 W
<b>Air velocity</b>	410 km/h
<b>Protection class</b>	class II, IP 34
<b>Weight</b>	6,56 kg
<b>Noise level</b>	73 dB
<b>Activation time</b>	12-15 s
<b>Tank volume</b>	900 ml
<b>Lifetime of carbon brushes</b>	aprox. 1,000 hours

## Supply Specification

SLO 01C - Supply No. 79014 electric hand dryer, black plastic cover