

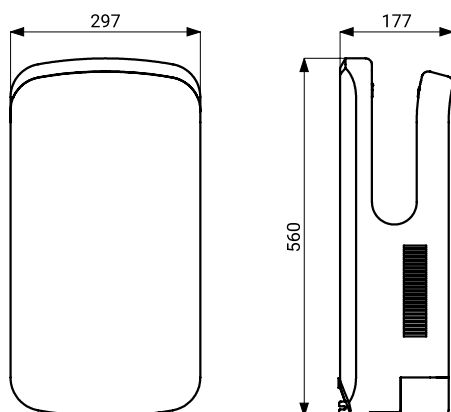
Automatic touchless hand dryer SLO 01A



Characteristics

- slot-type electric hand dryer
- responds to the presence of hands in the slot with automatic activation of air flow
- including antibacterial filter with the option to turn off heating
- excess water drains into a tank at the bottom, the floor under the dryer does not get dirty and wet
- brush motor
- material: white ABS plastic

Dimensions



Technical Specification

Dimensions	297 x 560 x 177 mm
Operating voltage	230 V/50 Hz
Power input	1100-1450 W
Air velocity	410 km/h
Protection class	class II, IP 34
Weight	6,56 kg
Noise level	73 dB
Activation time	12-15 s
Tank volume	900 ml
Lifetime of carbon brushes	aprox. 1,000 hours

Supply Specification

SLO 01A - Supply No. 79013 electric hand dryer, white plastic cover