

Automatic toilet flush SLW 01NKX



SANELA
we make water cool

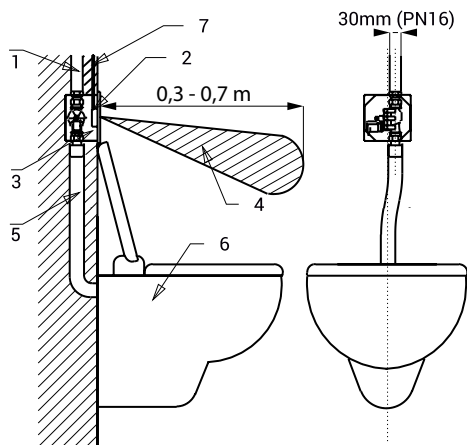


Characteristics



- includes Bluetooth control
(paid Sanela Control app for download)
- is intended for pressurized water from the supply
- responds to the presence of a person in front of the sensor at a distance of max. 0.7 m from the sensor for longer than 7.5 s
- flushing occurs after the person leaves the monitored zone
"short flush" (2 s)
= the presence time of a person in the monitored zone is from 7.5 s to 45 s
"long flush" (5 s)
= the presence time of a person in the monitored zone is longer than 45 s
- the duration of the long flush is adjustable from 0.5 to 15.5 s
- possibility of additional manual flushing by electro-mechanical button (e.g. during cleaning)
- automatic flushing after 24 hours from the last one flush
- solenoid valve with the possibility of water flow regulation, possibility of flushing by turning the valve coil (e.g. in case of power failure)
- parameter setting and communication with electronics via Sanela Control application (Bluetooth) or remote controller SLD 03
- material stainless steel AISI 304 (1.4301)
- brushed finish

Installation Drawing



- 1 - water supply
- 2 - stainless steel cover with electronics
- 3 - installation box with valve
- 4 - sensing area
- 5 - outlet pipe
- 6 - toilet bowl
- 7 - power supply inlet

Technical Specification

Stainless steel cover dimensions	170 x 170 x 10 mm
Mounting box dimensions	145 x 155 x 100 mm
Weight	2 kg
Material thickness	1 mm
Operating voltage	24 V DC
Power input	7 W
Active range	0,6 - 0,75 m
Recommended working pressure	0.15 - 0.6 MPa
Rate of flow	70 l/min at pressure 0.15 MPa (inf. data)
Water inlet	cross-section min. 32 mm (PN 16) external thread min. G 1"
Water outlet	external thread min. G 1"

Supply Specification

SLW 01NKX - Supply No. 04018 stainless steel cover with electronics including Bluetooth module, stainless steel mounting box with union and with solenoid valve

Recommended accessories

SLZ 01Y	-	Supply No. 05012	power supply 24 V DC for operating of max. 5 pcs. of flushing units
SLZ 01Z	-	Supply No. 05011	power supply 24 V DC for operating of max. 9 pcs. of flushing units
SLZ 04Y	-	Supply No. 05042	power supply 24 V DC on DIN rail, for operating of max. 5 pcs. of flushing units
SLZ 04Z	-	Supply No. 05041	power supply 24 V DC on DIN rail, for operating of max. 9 pcs. of flushing units
SLZ 04X	-	Supply No. 10049	power supply 24 V DC on DIN rail, for operating of max. 15 pcs. of flushing units
SLD 03	-	Supply No. 07030	remote control for an adjustment of parameters
SLR 03	-	Supply No. 08030	mounting frame for pre-wall installation for wall-hung WC and flush valve SLW 01xx, SLW 03PA
SLR 07	-	Supply No. 08070	mounting frame for fixing Sanela mounting boxes
SLA 04	-	Supply No. 06040	plastic connection between WC flush valve and toilet
SANELA CONTROL APP			paid Sanela Control app available for download on the App Store and Google Play