

Piezo Toilet Flushing Unit SLW 10PX

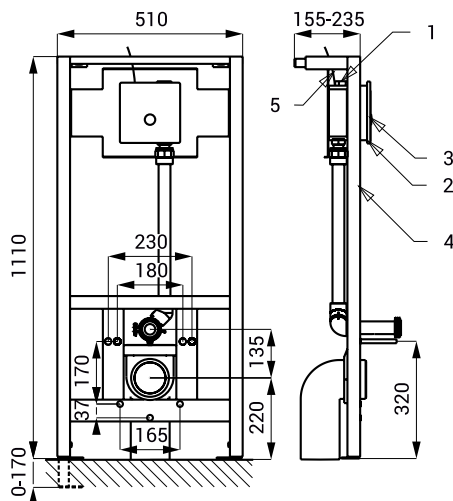


Characteristics



- **vandal-proof design**
- **including mounting frame SLR 03**
- frame designed for brick partition
- five-point system for mounting stainless steel WC
- metal frame structure with blue surface finish powder coating
- mounting screws M10, waste holder with connection kit Ø 50 mm and waste holder with elbow Ø 110 mm
- is intended for pressurized water from the supply, cannot be used for toilets with cistern
- responds to a gentle press of the piezo button with immediate flushing
- flush duration of the flush is adjustable from 0.5 to 15.5 s, standard 8 s
- automatic flushing after 24 hours non-use
- parameter setting using remote control SLD 04
- brushed finish

Installation Drawing



- 1 - water inlet
- 2 - stainless steel cover with electronics
- 3 - piezo button
- 4 - mounting frame SLR 03
- 5 - power supply 24 V DC

Technical Specification

Stainless steel cover dimensions	170 x 160 x 10 mm
Mounting box dimensions	150 x 150 x 100 mm
Frame dimensions	1120 - 1290 x 510 x 155 - 235 mm
Operating voltage	24 V DC
Power input	7 W
Recommended flow pressure	0.15 - 0.6 MPa
Rate of flow	70 l/min. (inf. data)
Water inlet	cross-section min. 32 mm (PN 16) external thread min. G 1"
Water outlet	outlet fitting with gasket

Supply Specification

SLW 10PX - Supply No. 04100 stainless steel cover with piezo electronics, stainless steel mounting box with screw connection and with solenoid valve, outlet fitting with gasket, mounting frame SLR 03

Recommended accessories

SLZ 01Y - Supply No. 05012 power supply 24 V DC for operating of max. 5 pcs. of flushing units
SLZ 01Z - Supply No. 05011 power supply 24 V DC for operating of max. 9 pcs. of flushing units
SLZ 04Y - Supply No. 05042 power supply 24 V DC on DIN rail, for operating of max. 5 pcs. of flushing units
SLZ 04Z - Supply No. 05041 power supply 24 V DC on DIN rail, for operating of max. 9 pcs. of flushing units
SLZ 04X - Supply No. 10049 power supply 24 V DC on DIN rail, for operating of max. 15 pcs. of flushing units
SLD 04 - Supply No. 07040 remote control for an adjustment of parameters