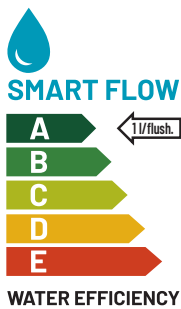


Stainless Steel Automatic Urinal SLPN 07EB

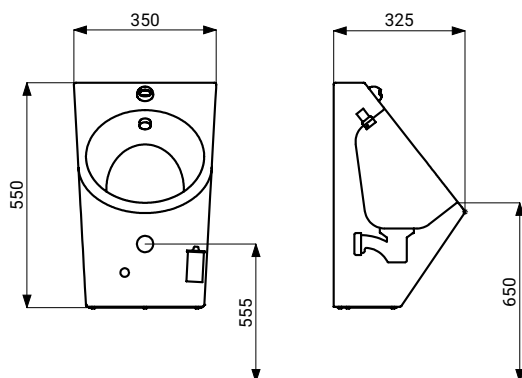


Characteristics



- **vandal-proof**
- stainless steel wall hung urinal with integrated infra-red electronics
- rear assembling through the service hatch and screws
- system reacts to the user attendance in front of the urinal at a maximum distance of 0,7 m, minimum stay time in active range is 7,5 s
- system flushes after leaving of user from active range
- adjustable flushing time 0,5 - 15,5 s
- parameters adjustment by remote control SLD 03
- automatic hygiene flushing after 24 hours non-use
- monitoring of battery capacity
- material stainless steel AISI 304 (1.4301)
- brushed finish
- the product meets the water consumption parameters for class 1. according to the EU Water Label criteria

Dimensions



* for the height of the front edge of the urinal 650 mm above the floor

Technical Specification

Dimensions	550 x 350 x 325 mm
Weight	8 kg
Material thickness	1,5 mm
Operating voltage	24 V DC
Power input	7W
Battery life	
▪ 4 pcs. AA alkaline batteries	approx. 2 years
AA, 1,5 V, 2700 mAh	(100 uses per day)
Active range	06 - 0,75 m
Recommended flow pressure	0,1 - 0,6 MPa
Rate of flow	12 l/min. (inf. data)
Water inlet	male thread G 1/2"

Supply Specification

SLPN 07EB - Supply No. 91072 stainless steel urinal with flushing head, sensor head with electronics, solenoid valve (1 pc.), angle valve with a filter, coupling hoses, mounting set, siphon, 4 pcs. AA alkaline batteries 1,5 V, 2700 mAh with battery case

Recommended Accessories

SLZ 01Y	- Supply No. 05012	power supply 24 V DC for operating of max. 5 pcs. of flushing units
SLZ 01Z	- Supply No. 05011	power supply 24 V DC for operating of max. 9 pcs. of flushing units
SLZ 04Y	- Supply No. 05042	power supply 24 V DC for DIN rail, for operating of max. 5 pcs. of flushing units
SLZ 04Z	- Supply No. 05041	power supply 24 V DC for DIN rail, for operating of max. 9 pcs. of flushing units
SLZ 04X	- Supply No. 10049	power supply 24 V DC for DIN rail, for operating of max. 15 pcs. of flushing units
SLZ 06	- Supply No. 05060	power supply 24 V DC for operating of max. 1 pc. of flushing unit
SLD 03	- Supply No. 07030	remote control for an adjustment of parameters
SLR 10	- Supply No. 08100	mounting frame for stainless steel urinals with built-in flush or stainless steel washbasins
SLA 36	- Supply No. 06360	set of 4 pcs. alkaline batteries AA, 1,5 V, 2700 mAh