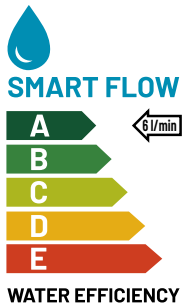


Automatic washbasin tap SLU 56



SANELA 
we make water cool®

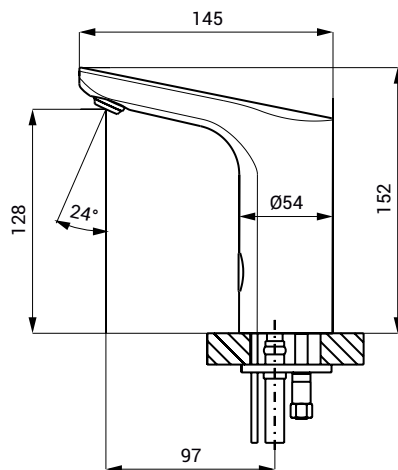


Characteristics



- includes Bluetooth control (paid Sanela Control app available for download)
- economical aerator, flow rate 6 l/min
- hygienic flush
- is designed for single-pipe supply of cold or pre-mixed water
- responds to the presence of hands in the sensing zone with immediate water activation
- water shuts off after hands are removed and the set time elapses (can be set in the range 0.25 – 7.75 s)
- safety function: water shut-off after 5 minutes
- option to switch to START/STOP mode
- parameter settings and communication with the electronics via Sanela Control app (Bluetooth) or the SLD 03
- the product meets the water consumption parameters for class 1. according to the EU Water Label criteria

Dimensions



Technical Specification

Dimensions	152 x 145 mm
Weight	1,5 kg
Operating voltage	24 V DC
Power input	7 W
Range	
▪ standard	0,13 - 0,19 m
▪ in START/STOP mode	0,05 - 0,15 m
Recommended flow pressure	0.1 - 0.6 MPa
Rate of flow	6 l/min. (inf. data)
Water inlet	external thread G 1/2"

Supply Specification

SLU 56 - Supply No. 03560 tap body including Bluetooth module, with electronics, solenoid valve (1 pc.), connecting hose

Recommended accessories

SLZ 01Y - Supply No. 05012	power supply 24 V DC for operating of max. 5 pcs. of washbasin taps
SLZ 01Z - Supply No. 05011	power supply 24 V DC for operating of max. 9 pcs. of washbasin taps
SLZ 04Y - Supply No. 05042	power supply 24 V DC for DIN rail, for operating of max. 5 pcs. of washbasin taps
SLZ 04Z - Supply No. 05041	power supply 24 V DC for DIN rail, for operating of max. 9 pcs. of washbasin taps
SLZ 04X - Supply No. 10049	power supply 24 V DC for DIN rail, for operating of max. 15 pcs. of washbasin taps
SLZ 06 - Supply No. 05060	power supply 24 V DC for max. 1 washbasin tap
SLD 03 - Supply No. 07030	remote control for an adjustment of parameters
SLT 04 - Supply No. 09040	thermostatic valve 3/4", flow rate 28 l/min at 0.1 MPa pressure
SLT 05 - Supply No. 09050	thermostatic valve 1/2", flow rate 42 l/min at 0.1 MPa pressure
SLA 55A - Supply No. 06550	water-saving aerator 3.8 l/min
SLA 55B - Supply No. 06551	water-saving aerator 1.9 l/min
SANELA CONTROL APP	paid Sanela Control application available for download on the App Store and Google Play