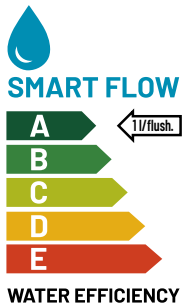


# Infrared urinal flushing valve SLP 02KBX including frame SLR 22 SLP 03KBX

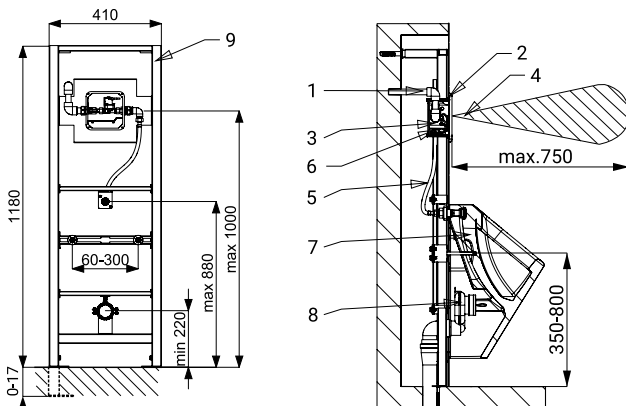


## Characteristics



- includes Bluetooth control (paid Sanela Control app for download)
- including mounting frame SLR 22
- frame designed for plasterboard structures, for anchoring to the floor and to the rear wall
- metal frame structure with blue surface finish powder coating
- mounting screws M10 and M8, waste holder with elbow Ø 50 mm and water inlet G 1/2"
- responds to the presence of a person in front of the urinal at a distance max 0.7 m from the sensor for longer than 7.5 s
- flushing occurs after the person leaves the detected zone
- flush time is adjustable from 0.5 to 15.5 s
- parameter settings and communication with the electronics via Sanela Control app (Bluetooth) or the SLD 03
- automatic flushing 24 hours after the last valve activation
- battery status monitoring
- possibility to regulate water flow with a ball valve
- polished finish
- the product meets the water consumption parameters for class 1 according to the criteria of the EU Water Label program

## Installation Drawing



- 1 - water supply
- 2 - stainless steel cover with electronics
- 3 - plastic mounting box with ball and solenoid valve
- 4 - sensing area
- 5 - outlet to urinal
- 6 - battery case
- 7 - urinal
- 8 - siphon
- 9 - mounting frame SLR 22

## Technical Specification

<b>Stainless steel cover dimensions</b>	170 x 170 x 10 mm
<b>Mounting box dimensions</b>	140 x 140 x 75 mm
<b>Frame dimensions</b>	1120 - 1290 x 410 x 155 - 235 mm
<b>Supply voltage</b>	6 V
<b>Power input</b>	3 W
<b>Range</b>	0,6 - 0,75 m
<b>Recommended working pressure</b>	0.1 - 0.6 MPa
<b>Flow rate</b>	18 l/min (informative value)
<b>Water inlet</b>	external thread G 3/4"
<b>Water outlet</b>	outlet fitting with gasket

## Supply specification

SLP 03KBX - Supply No. 11032

stainless steel cover with electronics including Bluetooth module, plastic installation box with union, solenoid valve and ball valve, 4 pcs AA alkaline 1.5 V 2700 mAh batteries, connecting flexible hose, outlet fitting with gasket, mounting frame SLR 22

## Recommended accessories

- SLD 03** - Supply No. 07030 remote control for an adjustment of parameters  
**SLA 36** - Supply No. 06360 set of 4 AA alkaline batteries, 1.5 V, 2700 mAh  
**SANELA CONTROL APP** paid Sanela Control app available for download on the App Store and Google Play