

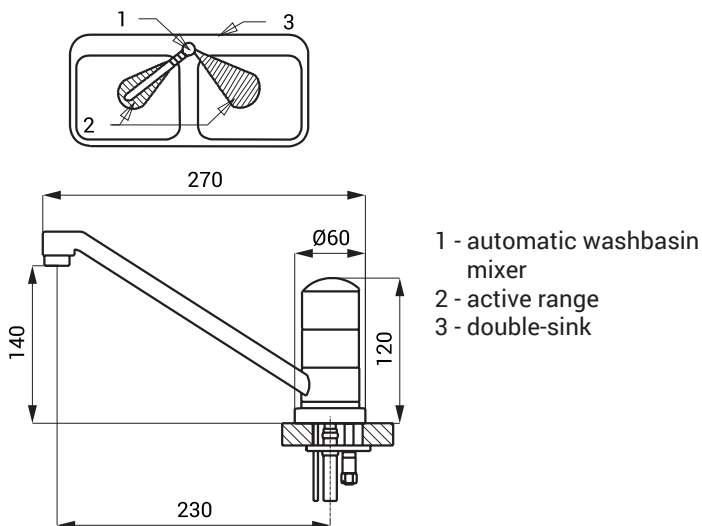
Automatic Washbasin Mixer for Double-Sink SLU 10



Characteristics

- **hygienic flush**
- is destined for installation on double-sink and combined sink with washbasin in one, it has a swivel faucet and two sensors
- is destined for cold and hot water, temperature is regulated by an integrated mixer
- water is flowing as long as hands are in the active range
- water stops flowing after removal of hands from the active range of sensor after adjustable time delay (can be set in range 0,25 – 7,75 s)
- function of automatic water stop after 5 minut of continuous flow
- monitoring of battery capacity (for models with index B)
- START/STOP program
- parameter adjustment using by the remote control SLD 03

Dimensions



Technical Specification

Operating voltage

- SLU 10 24 V DC
- SLU 10B 6 V

Power input

- operating by 24 V DC 14 W
- operating by 6 V 11 W

Battery life

- 4 pcs. AA alkaline batteries approx. 2 years (100 uses per day)
- AA, 1,5 V, 2700 mAh

Active range

- standard 0,21 - 0,27 m
- START/STOP program 0,05 - 0,15 m

Recommended flow pressure

- 0,1 - 0,6 MPa

Rate of flow

Water inlet

- 12 l/min. (inf. data)
- male thread G 1/2"

Supply Specification

- SLU 10 - Supply No. 03100
 SLU 10B - Supply No. 03105
- elongated faucet with mixer, sensing head with electronics, holder of electronics, electromagnetic valve (2 pcs.), connecting hoses, angle valve with filter and check valve (2 pcs.), 4 pcs. AA alkaline batteries 1,5 V, 2700 mAh with battery case (SLU 10B)

Recommended Accessories

- SLZ 01Y - Supply No. 05012 power supply 24 V DC for operating of max. 2 pcs. of washbasin taps
 SLZ 01Z - Supply No. 05011 power supply 24 V DC for operating of max. 4 pcs. of washbasin taps
 SLZ 04Y - Supply No. 05042 power supply 24 V DC for DIN rail, for operating of max. 2 pcs. of washbasin taps
 SLZ 04Z - Supply No. 05041 power supply 24 V DC for DIN rail, for operating of max. 4 pcs. of washbasin taps
 SLZ 04X - Supply No. 10049 power supply 24 V DC for DIN rail, for operating of max. 7 pcs. of washbasin taps
 SLD 03 - Supply No. 07030 remote control for an adjustment of parameters
 SLA 36 - Supply No. 06360 set of 4 pcs. alkaline batteries AA, 1,5 V, 2700 mAh (for models with index B)
 SLA 55A - Supply No. 06550 economical aerator 3,8 l/min
 SLA 55B - Supply No. 06551 economical aerator 1,9 l/min