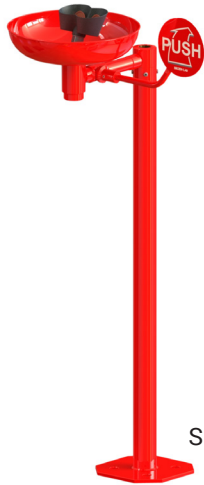


# Safety Eyewash Shower SLSN 25

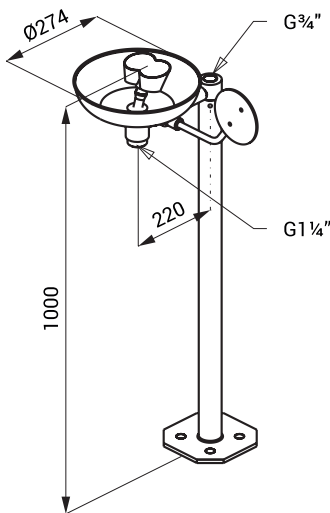


SLSN 25

## Characteristics

- suitable for medical facilities and industry
- used as first aid if eyes impacted by accidents caused by fire, chemical or other dangerous substances
- free standing eyewash shower with two spray heads, bowl and start lever
- integrated ball valve for regulation of water flow
- floor installation
- special chemically resistant red lacquer

## Dimensions



## Technical Specification

Recommended working pressure	0,15 MPa
Rate of flow	26 l/min. (inf. data)
Water outlet	female thread G 1"
Water inlet	male thread G 1"

## Supply Specification

SLSN 25 - Supply No. 92250      eyewash shower, mounting set