

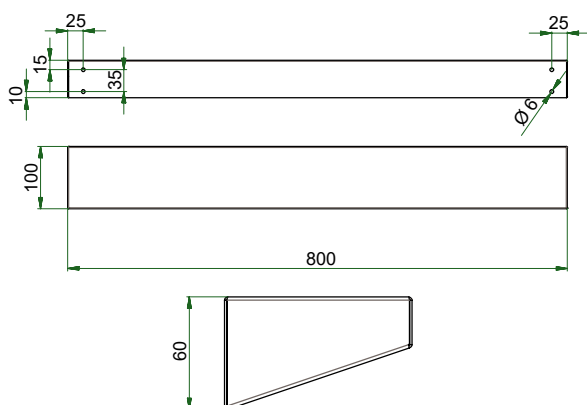
# Stainless Steel Shelf SLZN 65



## Characteristics

- 4 holes for fitting on back side
- dimensions 800 x 100 x 60 mm
- different lengths could be made to order
- material AISI - 304
- brushed finish

## Dimensions



## Supply Specification

SLZN 65 - Supply No. 95650 stainless steel shelf, mounting set