

Automatic Washbasin Taps SLU 01N, SLU 02N



SANELA 
we make water cool®

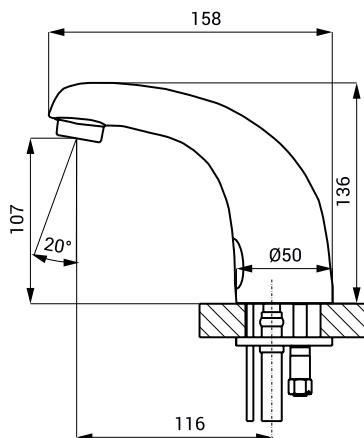


Characteristics



- includes Bluetooth control (paid Sanela Control app available for download)
- economical aerator, rate of flow 6 l/min
- hygienic flush
- SLU 01N is destined for cold or premixed water
- SLU 02N is destined for cold and hot water, temperature is regulated by angle valves
- water is flowing as long as hands are in the active range
- water stops flowing after removal of hands from the active range of sensor after adjustable time delay (can be set in range 0,25 – 7,75 s)
- function of automatic water stop after 5 minut of continuous flow
- monitoring of battery capacity (for models with index B)
- START/STOP program
- parameter setting and communication with the electronics via the Sanela Control app (Bluetooth) or the SLD 03

Dimensions



Technical Specification

Dimensions	158 x 136 mm
Weight	
▪ SLU 01N	1,2 kg
▪ SLU 01NB	1,34 kg
▪ SLU 02N	1,4 kg
▪ SLU 02NB	1,52 kg
Operating voltage	
▪ SLU 01N, SLU 02N	24 V DC
▪ SLU 01NB, SLU 02NB	6 V
Power input	
▪ operating by 24 V DC	7 W
▪ operating by 6 V	3 W
Battery life	
▪ 4 pcs. AA alkaline batteries AA, 1,5 V, 2700 mAh	approx. 2 years (100 uses per day)
Active range	
▪ standard	0,13 - 0,19 m
▪ START/STOP program	0,05 - 0,15 m
Recommended flow pressure	0,1 - 0,6 MPa
Rate of flow	6 l/min. (inf. data)
Water inlet	male thread G 1/2"

Supply Specification

SLU 01N - Supply No. 23018	faucet with an electronics including Bluetooth module, electromagnetic valve (1 pc.), connecting hoses, angle valve with filter (1 pc.), 4 pcs. AA alkaline batteries 1,5 V, 2700 mAh with battery case (SLU 01NB)
SLU 01NB - Supply No. 23019	
SLU 02N - Supply No. 23028	faucet with an electronics including Bluetooth module, electromagnetic valve (1 pc.), Y piece fitting and hoses assembly with integrated check valves, connecting hoses, angle valve with filter and check valve (2 pcs.), 4 pcs. AA alkaline batteries 1,5 V, 2700 mAh with battery case (SLU 02NB)
SLU 02NB - Supply No. 23029	

Recommended Accessories

SLZ 01Y	-	Supply No. 05012	power supply 24 V DC for operating of max. 5 pcs. of washbasin taps
SLZ 01Z	-	Supply No. 05011	power supply 24 V DC for operating of max. 9 pcs. of washbasin taps
SLZ 04Y	-	Supply No. 05042	power supply 24 V DC for DIN rail, for operating of max. 5 pcs. of washbasin taps
SLZ 04Z	-	Supply No. 05041	power supply 24 V DC for DIN rail, for operating of max. 9 pcs. of washbasin taps
SLZ 04X	-	Supply No. 10049	power supply 24 V DC for DIN rail, for operating of max. 15 pcs. of washbasin taps
SLZ 06	-	Supply No. 05060	power supply 24 V DC for operating of max. 1 pc. of washbasin tap
SLD 03	-	Supply No. 07030	remote control for an adjustment of parameters
SLT 04	-	Supply No. 09040	thermostatic valve 3/4", rate of flow 28 l/min by the pressure 0,1 MPa
SLT 05	-	Supply No. 09050	thermostatic valve 1/2", rate of flow 42 l/min by the pressure 0,1 MPa
SLA 36	-	Supply No. 06360	set of 4 pcs. alkaline batteries AA, 1,5 V, 2700 mAh (for models with index B)
SLA 55A	-	Supply No. 06550	economical aerator 3,8 l/min
SLA 55B	-	Supply No. 06551	economical aerator 1,9 l/min
SANELA CONTROL APP			paid Sanela Control app available for download on the App Store and Google Play