

Radar Flushing Unit for Urinal ALFÖLDI (Alföldi) 7051 SLP 99



SANELA 
we make water cool®



SLP 99S

SLP 99Z

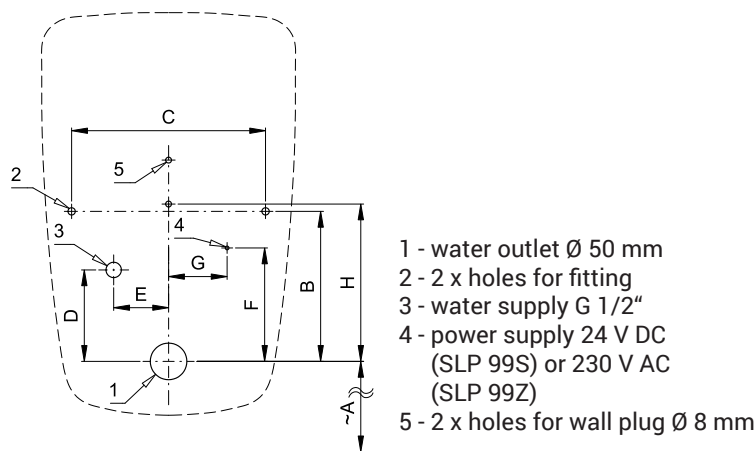
SLP 99B

Characteristics



- **DESIGNED FOR URINAL ALFÖLDI (Alföldi) 7051**
- **includes Bluetooth control (Sanela Control app available for download)**
- **THE URINAL DOES NOT HAVE TO BE SENT FOR ASSEMBLY (THE RADAR SENSOR IS SUPPLIED SEPARATELY)**
- SLP 99S - 24 V DC, pre-wall mounting (water supply with flexi hoses)
- SLP 99Z - 230 V AC, including power supply unit
- SLP 99B - 6 V, including housing with 4 pc AA batteries
- economy flushing by 1 liter of water
- whole flushing unit is placed behind the urinal
- system reacts only on the direct use of the urinal (it analyses changes, which are proceeded inside of the urinal, when a liquid is flowing through)
- adjustable flushing time 0,5 - 15,5 s
- parameter setting and communication with the electronics via the Sanela Control app (Bluetooth) or the SLD 04 remote control (acoustic indication of setting) without dismantling the urinal
- automatic flushing after each 6 hours non-use
- possibility to regulate a water flow by the angle valve
- radar flushing unit recharges a water to the siphon after each flushing

Installation Drawing



Dimensions (mm)	A	B	C	D	E	F	G	H
SLP 99 - Alföldi	380	205	265	125	75	155	80	215

* for the height of the front edge of the urinal 650 mm above the floor

Technical Specification

Operating voltage

- SLP 99S 24 V DC
- SLP 99Z 230 V AC/50 Hz
- SLP 99B 6 V

Power input

- operating by 24 V DC 8 W
- operating by 6 V 3 W

Recommended flow pressure

0,1 - 0,6 MPa

Rate of flow

18 l/min (inf. data)

Water inlet

male thread G 1/2"

Water outlet

inlet fitting with a rubber sealing

Illustrative photo:



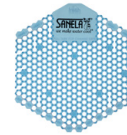
SLA 11



SLA 11A



SLA 11B



SLA 11C

Radar Urinal Flushing Units

Supply Specification

SLP 99S	-	Supply No. 21992	radar flushing unit including Bluetooth module on the mounting rail, electromagnetic valve,
SLP 99Z	-	Supply No. 21994	connecting hoses, angle valve, inlet fitting with a rubber sealing, siphon, power supply
SLP 99B	-	Supply No. 21996	(SLP 99Z), 4 pcs. AA alkaline batteries 1,5 V, 2700 mAh with battery case (SLP 99B)

Recommended Accessories

SLZ 01Y	-	Supply No. 05012	power supply 24 V DC for operating of max. 5 pcs. of flushing units
SLZ 01Z	-	Supply No. 05011	power supply 24 V DC for operating of max. 9 pcs. of flushing units
SLZ 04Y	-	Supply No. 05042	power supply 24 V DC on DIN rail, for operating of max. 5 pcs. of flushing units
SLZ 04Z	-	Supply No. 05041	power supply 24 V DC on DIN rail, for operating of max. 9 pcs. of flushing units
SLZ 04X	-	Supply No. 10049	power supply 24 V DC on DIN rail, for operating of max. 15 pcs. of flushing units
SLZ 06	-	Supply No. 05060	power supply 24 V DC for operating of max. 1 pc. of flushing unit
SLD 04	-	Supply No. 07040	remote control for an adjustment of parameters
SLA 11	-	Supply No. 06110	deodorising urinal screen - orange colour, mango scent
SLA 11A	-	Supply No. 06111	deodorising urinal screen - red colour, kiwi and grapefruit scent
SLA 11B	-	Supply No. 06112	deodorising urinal screen - transparent colour, honeysuckle scent
SLA 11C	-	Supply No. 06113	deodorising urinal screen - blue colour, cotton bloom scent
SLR 09	-	Supply No. 08090	mounting frame for ceramic urinals with built-in flush or for ceramic washbasins
SLA 36	-	Supply No. 06360	set of 4 pcs. alkaline batteries AA 1,5 V, 2700 mAh (for models with index B)
SANELA CONTROL APP			available for download on the App Store and Play Store