

# Radars Flushing Unit for Urinal BLAGNAC (Allia) 00357000 SLP 99



## Characteristics



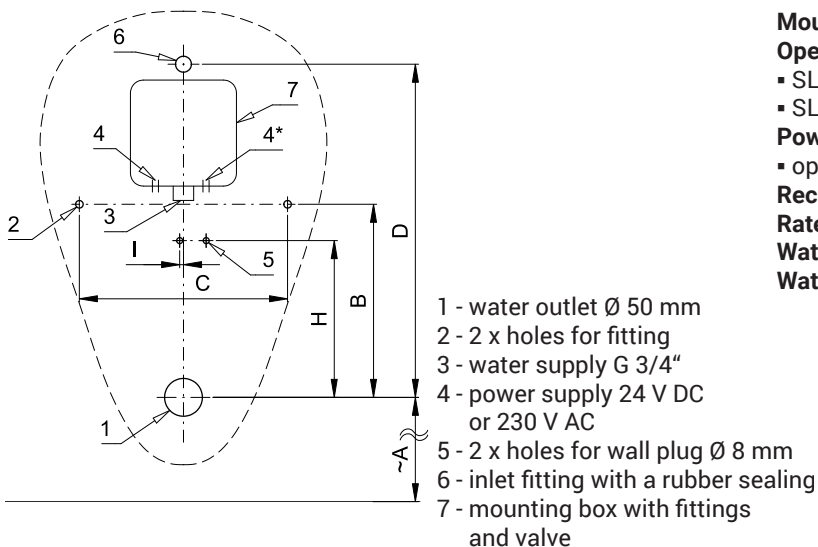
- **DESIGNED FOR URINAL BLAGNAC (Allia) 00357000**
- includes Bluetooth control (Sanela Control app available for download)
- **THE URINAL DOES NOT HAVE TO BE SENT FOR ASSEMBLY (THE RADAR SENSOR IS SUPPLIED SEPARATELY)**
- SLP 99R - 24 V DC, the product includes a installation box with outlet fitting, it must be embedded in the wall in the space behind the urinal
- SLP 99Z - 230 V AC, including power supply unit
- economy flushing by 1 liter of water
- whole flushing unit is placed behind the urinal
- system reacts only on the direct use of the urinal (it analyses changes, which are proceeded inside of the urinal, when a liquid is flowing through)
- adjustable flushing time 0,5 - 15,5 s
- parameter setting and communication with the electronics via the Sanela Control app (Bluetooth) or the SLD 04 remote control (acoustic indication of setting) without dismantling the urinal
- automatic flushing after each 6 hours non-use
- possibility to regulate a water flow by the ball valve
- radar flushing unit recharges a water to the siphon after each flushing



SLP 99R

SLP 99Z

## Installation Drawing



Dimensions (mm)	A	B	C	D	H	I
SLP 99 - BLAGNAC	375	255	275	440	207	5

\* for the height of the front edge of the urinal 650 mm above the floor

## Technical Specification

<b>Mounting box dimensions</b>	140 x 140 x 75 mm
<b>Operating voltage</b>	
▪ SLP 99R	24 V DC
▪ SLP 99Z	230 V AC/50 Hz
<b>Power input</b>	
▪ operating by 24 V DC	8 W
<b>Recommended flow pressure</b>	0,1 - 0,6 MPa
<b>Rate of flow</b>	18 l/min (inf. data)
<b>Water inlet</b>	male thread G 3/4"
<b>Water outlet</b>	inlet fitting with a rubber sealing

Illustrative photo:



SLA 11



SLA 11A



SLA 11B



SLA 11C

## Supply Specification

- SLP 99R - **Supply No. 01994** radar flushing unit including Bluetooth module on the mounting rail, mounting box with brass screw coupling, rubber sealing and electromagnetic valve, siphon, power supply (SLP 99Z)
- SLP 99Z - **Supply No. 21994**

## Recommended Accessories

<b>SLZ 01Y</b>	- <b>Supply No. 05012</b>	power supply 24 V DC for operating of max. 5 pcs. of flushing units
<b>SLZ 01Z</b>	- <b>Supply No. 05011</b>	power supply 24 V DC for operating of max. 9 pcs. of flushing units
<b>SLZ 04Y</b>	- <b>Supply No. 05042</b>	power supply 24 V DC on DIN rail, for operating of max. 5 pcs. of flushing units
<b>SLZ 04Z</b>	- <b>Supply No. 05041</b>	power supply 24 V DC on DIN rail, for operating of max. 9 pcs. of flushing units
<b>SLZ 04X</b>	- <b>Supply No. 10049</b>	power supply 24 V DC on DIN rail, for operating of max. 15 pcs. of flushing units
<b>SLZ 06</b>	- <b>Supply No. 05060</b>	power supply 24 V DC for operating of max. 1 pc. of flushing unit
<b>SLD 04</b>	- <b>Supply No. 07040</b>	remote control for an adjustment of parameters
<b>SLA 11</b>	- <b>Supply No. 06110</b>	deodorising urinal screen - orange colour, mango scent
<b>SLA 11A</b>	- <b>Supply No. 06111</b>	deodorising urinal screen - red colour, kiwi and grapefruit scent
<b>SLA 11B</b>	- <b>Supply No. 06112</b>	deodorising urinal screen - transparent colour, honeysuckle scent
<b>SLA 11C</b>	- <b>Supply No. 06113</b>	deodorising urinal screen - blue colour, cotton bloom scent
<b>SLR 01</b>	- <b>Supply No. 08010</b>	mounting frame for plasterboard construction for urinal with a installation box behind the urinal
<b>SANELA CONTROL APP</b>		available for download on the App Store and Play Store