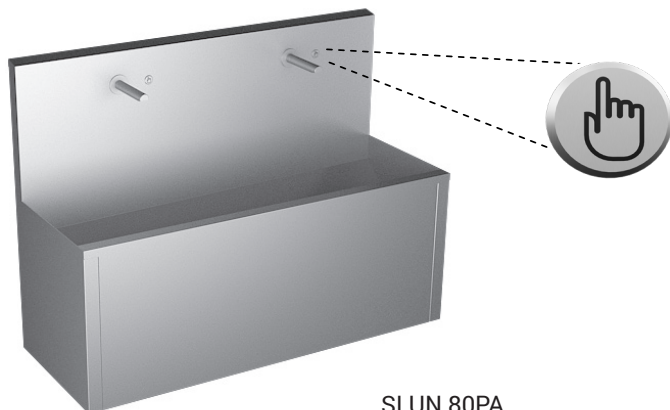


# Stainless Steel Piezo Washing Trough SLUN 80PA



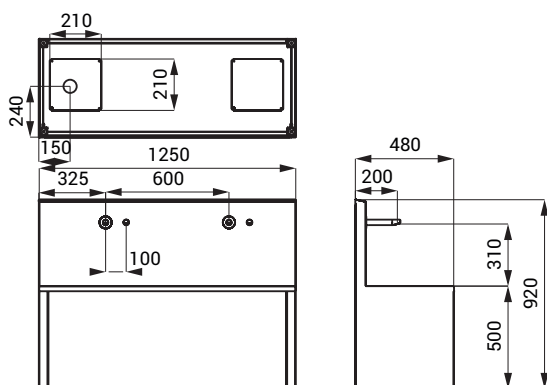
SLUN 80PA

## Characteristics



- economical aerator, rate of flow 6 l/min
- hygienic flush
- vandal-proof
- suitable for a prison
- with a complete apron
- stainless steel wall hung washing trough with integrated piezo electronics
- vandal-proof stainless steel spouts
- water flows after soft push of the piezo button
- water stops flowing after adjustable flowing time (can be set in 2 - 62 s), standard 10 s
- water could be stopped by follow-up soft push of piezo button
- parameter adjustment using by the remote control SLD 04
- different lengths could be made to order
- material AISI - 304
- could be made to order from stainless steel AISI - 316L
- brushed finish

## Dimensions



## Technical Specification

Operating voltage	24 V DC
Power input	14 W
Recommended flow pressure	0,1 - 0,6 MPa
Rate of flow	6 l/min. (inf. data)
Water inlet	male thread G 1/2"

## Supply Specification

**SLUN 80PA - Supply No. 93800** stainless steel washing trough with piezo electronics (2 pcs.), spout (2 pcs.), electromagnetic valve (2 pcs.), connecting hoses, angle valve with filter (2 pcs.), siphon, mounting set

## Recommended Accessories

SLZ 01Y	- Supply No. 05012	power supply 24 V DC for operating of max. 2 pcs. of washing troughs
SLZ 01Z	- Supply No. 05011	power supply 24 V DC for operating of max. 4 pcs. of washing troughs
SLZ 04Y	- Supply No. 05042	power supply 24 V DC for DIN rail, for operating of max. 2 pcs. of washing troughs
SLZ 04Z	- Supply No. 05041	power supply 24 V DC for DIN rail, for operating of max. 4 pcs. of washing troughs
SLZ 04X	- Supply No. 10049	power supply 24 V DC for DIN rail, for operating of max. 7 pcs. of washing troughs
SLD 04	- Supply No. 07040	remote control for an adjustment of parameters
SLA 56A	- Supply No. 06560	economical aerator 3,8 l/min
SLA 56B	- Supply No. 06561	economical aerator 1,9 l/min