

Electronic Touch Control for Head and Hand Shower with Thermostatic Mixing Valve SLS 32



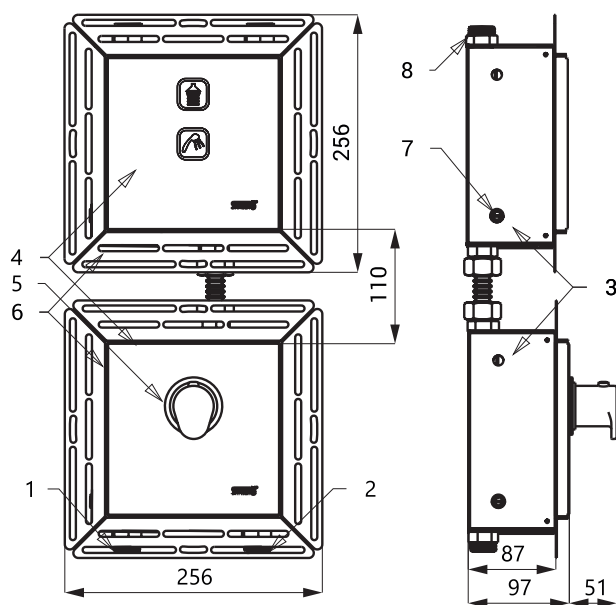
SLS 32E

Characteristics



- **hygienic flush**
- electronic touch control for head and hand shower with thermostatic mixing valve 1/2" in glass cover
- water is flowing after the gentle touch of a symbol on a glass cover
- both, the head and hand shower can be used at the same time (if there's enough water pressure)
- water stops flowing after adjustable flowing time (can be set in range 10 s - 310 s), standard 300 s
- water could be stopped by follow-up gentle touch of backlit symbol
- stop flowing of hot water in case of cold water failure
- temperature of water is adjusted within the range 15 - 50 °C
- for the right function the pressure of water have to be the same on the both water inlets
- parameters adjustment using by the remote control SLD 06
- adjust the colour and intensity of the backlight using the SLD 10 remote control

Installation Drawing



- 1 - hot water supply G 3/4"
- 2 - cold water supply G 3/4"
- 3 - mounting box with ball and electromagnetic valves
- 4 - glass covers
- 5 - thermostatic mixer
- 6 - stainless steel frames
- 7 - power supply 24 V DC
- 8 - water outlets G 3/4"

Technical Specification

Glass cover dimension	170 x 170 mm
Mounting box dimension	200 x 200 x 87 mm
Operating voltage	24 V DC
Power input	14 W
Recommended flow pressure	0,1 - 0,6 MPa
Rate of flow	20 l/min. (inf. data)
Water inlet	male thread G 3/4"
Water outlet	male thread G 3/4"

Supply Specification

SLS 32B	- Supply No. 02320	glass cover in stainless steel mounting frame with electronics (colour light grey REF 9006, backlit of the symbol cyan) (2 pcs.), stainless steel mounting box with ball valve and electromagnetic valve, stainless steel mounting box with thermostatic valve, check valves, connecting part
SLS 32C	- Supply No. 02321	glass cover in stainless steel mounting frame with electronics (colour dark grey REF 7016, backlit of the symbol white) (2 pcs.), stainless steel mounting box with ball valve and electromagnetic valve, stainless steel mounting box with thermostatic valve, check valves, connecting part
SLS 32D	- Supply No. 02322	glass cover in stainless steel mounting frame with electronics (colour metallic black REF 0337, backlit of the symbol white) (2 pcs.), stainless steel mounting box with ball valve and electromagnetic valve, stainless steel mounting box with thermostatic valve, check valves, connecting part
SLS 32E	- Supply No. 02323	glass cover in stainless steel mounting frame with electronics (colour black REF 9005, backlit of the symbol white) (2 pcs.), stainless steel mounting box with ball valve and electromagnetic valve, stainless steel mounting box with thermostatic valve, check valves, connecting part

Recommended Accessories

SLZ 01Y	- Supply No. 05012	power supply 24 V DC for operating of max. 2 pcs. of showers
SLZ 01Z	- Supply No. 05011	power supply 24 V DC for operating of max. 4 pcs. of showers
SLZ 04Y	- Supply No. 05042	power supply 24 V DC for DIN rail, for operating of max. 2 pcs. of showers
SLZ 04Z	- Supply No. 05041	power supply 24 V DC for DIN rail, for operating of max. 4 pcs. of showers
SLZ 04X	- Supply No. 10049	power supply 24 V DC for DIN rail, for operating of max. 7 pcs. of showers
SLA 03	- Supply No. 06030	vandal-proof shower head with possibility to set an angle of water flow
SLA 13	- Supply No. 06130	vandal-proof shower head with possibility to set an angle of water flow
SLA 14	- Supply No. 06140	vandal-proof shower head
SLA 39	- Supply No. 06390	vandal-proof shower head
SLA 40	- Supply No. 06400	vandal-proof shower head with possibility to set an angle of water flow
SLA 54	- Supply No. 06540	suction cup for disassembly of glass panels
SLD 06	- Supply No. 07060	remote control for an adjustment of parameters of wellness showers
SLD 10	- Supply No. 07012	remote control for adjusting the colour and intensity of the backlight