

Automatic Black Urinal Flushing Units

SLP 02KV, SLP 06KV



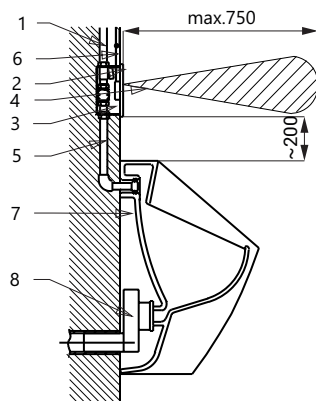
SLP 02KV

Characteristics

- system reacts to the user attendance in front of the urinal at a maximum distance of 0,7 m, minimum stay time in active range is 7,5 s
- water flows after the user leaves active range
- adjustable flushing time 0,5 - 15,5 s
- parameters adjustment by remote control SLD 03
- automatic hygiene flushing after 24 hours non-use
- monitoring of battery capacity (SLP 06KV)
- possibility to regulate a water flow by the ball valve

Installation Drawing

- 1 - water supply
- 2 - stainless steel cover with electronics
- 3 - mounting box
- 4 - active range
- 5 - connection with urinal
- 6 - power supply
- 7 - urinal
- 8 - siphon



Technical Specification

Stainless steel cover dimension	170 x 170 x 10 mm
Mounting box dimension	140 x 140 x 75 mm
Operating voltage	
▪ SLP 02KV	24 V DC
▪ SLP 02KVZ	230 V AC/50 Hz
▪ SLP 06KV	6 V
Power input	
▪ operating by 24 V DC	7 W
▪ operating by 6 V	3 W
Active range	0,6 - 0,75 m
Recommended flow pressure	0,1 - 0,6 MPa
Rate of flow	18 l/min (inf. data)
Water inlet	male thread G 3/4"
Water outlet	male thread G 3/4"

Supply Specification

SLP 02KV - Supply No. 01018	black stainless steel cover with electronics, plastic mounting box with brass screw
SLP 02KVZ - Supply No. 01019	coupling, electromagnetic valve and ball valve, power supply (SLP 02KVZ),
SLP 06KV - Supply No. 01066	4 pcs. AA alkaline batteries 1,5 V 2700 mAh (SLP 06KV)

Recommended Accessories

SLZ 01Y - Supply No. 05012	power supply 24 V DC for operating of max. 5 pcs. of flushing units
SLZ 01Z - Supply No. 05011	power supply 24 V DC for operating of max. 9 pcs. of flushing units
SLZ 04Y - Supply No. 05042	power supply 24 V DC on DIN rail, for operating of max. 5 pcs. of flushing units
SLZ 04Z - Supply No. 05041	power supply 24 V DC on DIN rail, for operating of max. 9 pcs. of flushing units
SLZ 04X - Supply No. 10049	power supply 24 V DC on DIN rail, for operating of max. 15 pcs. of flushing units
SLZ 06 - Supply No. 05060	power supply 24 V DC for operating of max. 1 pc. of flushing unit
SLD 03 - Supply No. 07030	remote control for an adjustment of parameters
SLA 02 - Supply No. 06020	inlet fitting with a rubber seal for the urinals with back water inlet
SLR 02 - Supply No. 08020	mounting frame to the plasterboard for urinal and flushing unit, which is placed above the urinal
SLR 22 - Supply No. 08220	mounting frame to the plasterboard constructions, for mounting to the floor and to the back wall, is destined for ceramic urinals and Sanela stainless steel urinals (SLPN 07, SLPN 09) and infra-red flushing unit, which is placed above the urinal (SLP 02, SLP 06)
SLA 36 - Supply No. 06360	set of 4 pcs. alkaline batteries AA 1,5 V, 2700 mAh (SLP 06KV)