

# RFID Token Machine for Barrier Opening

## SLZA 30E, SLZA 30EZ



SLZA 30EZ

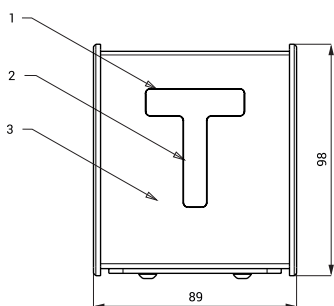


SLZA 30E

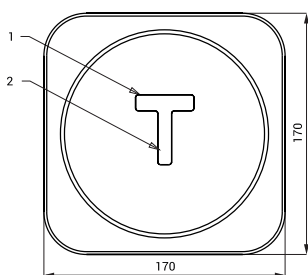
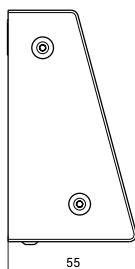
### Characteristics

- stainless steel RFID token machine for barrier opening
- is destined for opening due to the token
- model with index E - on the wall
- model with index EZ - recessed
- material AISI - 304
- brushed finish

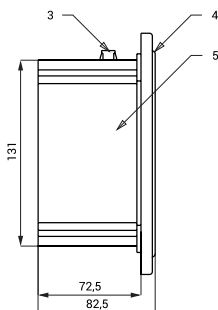
### Dimensions



SLZA 30E



SLZA 30EZ



### Technical Specification

Stainless steel cover dimensions (SLZA 30EZ)	170 x 170 x 10 mm
Plastic mounting box dimensions (SLZA 30EZ)	140 x 140 x 75 mm
Dimensions (SLZA 30E)	98 x 89 x 55 mm
Operating voltage	24 V DC
Power input	4 W

- 1 - display  
2 - RFID active range  
3 - stainless steel case with plastic sideboards

- 1 - display  
2 - RFID active range  
3 - power supply 24 V DC  
4 - stainless steel cover with electronics  
5 - plastic mounting box

### Supply Specification

SLZA 30E - Supply No. 89309	stainless steel station with display
SLZA 30EZ - Supply No. 89318	stainless steel cover with display, plastic mounting box

### Recommended Accessories

SLZ 01Y - Supply No. 05012	power supply 24 V DC for operating of max. 5 pcs. token machines
SLZ 01Z - Supply No. 05011	power supply 24 V DC for operating of max. 9 pcs. token machines
SLZ 04Y - Supply No. 05042	power supply 24 V DC for DIN rail, for operating of max. 5 pcs. token machines
SLZ 04Z - Supply No. 05041	power supply 24 V DC for DIN rail, for operating of max. 9 pcs. token machines
SLZ 04X - Supply No. 10049	power supply 24 V DC for DIN rail, for operating of max. 15 pcs. token machines
SLZA 30 - Supply No. 89300	programming station for RFID tokens
SLZA 38 - Supply No. 89380	programming station for RFID tokens
SLZA 51 - Supply No. 88510	set of 50 pcs. of plastic RFID tokens for token machines, yellow color
SLZA 51B - Supply No. 88511	set of 50 pcs. of plastic RFID tokens for token machines, blue color
SLZA 51R - Supply No. 88512	set of 50 pcs. of plastic RFID tokens for token machines, red color (logo on the token is not possible)
SLZA 53 - Supply No. 88530	contactor 24 V DC
SLZA 54 - Supply No. 88540	protective cover above the recessed machines
SLZA 54A - Supply No. 88541	protective cover above the wall-mounted machines