

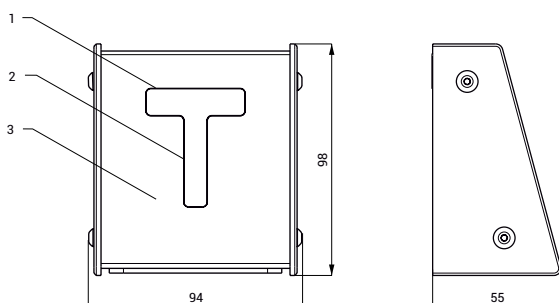
# RFID door lock system SLZA 30A



## Characteristics

- stainless steel RFID door lock system (12 V)
- for door opening with token
- on the wall
- material AISI - 304
- brushed finish

## Dimensions



- 1 - display  
2 - RFID active range  
3 - stainless steel case with plastic sideboards

## Technical Specification

Dimensions	94 x 98 x 55 mm
Operating voltage	24 V DC
Power input	12 W

## Supply Specification

SLZA 30A - Supply No. 89303 stainless steel station with display

## Recommended Accessories

SLZ 01Y - Supply No. 05012	power supply 24 V DC for operating of max. 5 pcs. door lock systems
SLZ 01Z - Supply No. 05011	power supply 24 V DC for operating of max. 9 pcs. door lock systems
SLZ 04Y - Supply No. 05042	power supply 24 V DC for DIN rail, for operating of max. 5 pcs. door lock systems
SLZ 04Z - Supply No. 05041	power supply 24 V DC for DIN rail, for operating of max. 9 pcs. door lock systems
SLZ 04X - Supply No. 10049	power supply 24 V DC for DIN rail, for operating of max. 15 pcs. door lock systems
SLZA 30 - Supply No. 89300	programming station for RFID tokens
SLZA 38 - Supply No. 89380	programming station for RFID tokens
SLZA 51 - Supply No. 88510	set of 50 pcs. of plastic RFID tokens for token machines, yellow color
SLZA 51B - Supply No. 88511	set of 50 pcs. of plastic RFID tokens for token machines, blue color
SLZA 51R - Supply No. 88512	set of 50 pcs. of plastic RFID tokens for token machines, red color (logo on the token is not possible)
SLZA 54A - Supply No. 88541	protective cover above the wall-mounted machines