

# Piezo Toilet Flushing Unit SLW 01PA

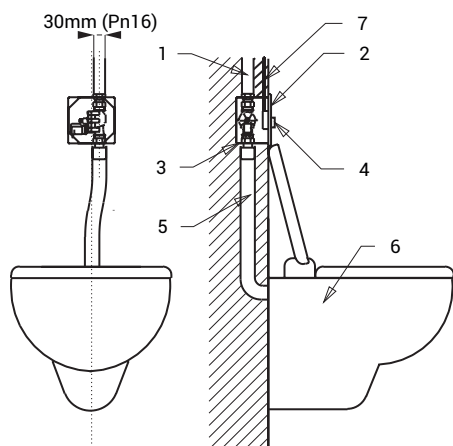


## Characteristics



- **vandal-proof**
- **suitable for prison**
- special vandal-proof stainless steel cover, thickness 3 mm, safety screws
- toilet flushing unit for a pressure water from water distribution, isn't possible to use it for toilet with tank
- water flows after soft push of the piezo button
- adjustable flushing time 0,5 - 15,5 s, standard 8 s
- automatic hygiene flush after each 8 use of toilet and after 24 hours non-use
- electromagnetic valve with a possibility to regulate rate of flow, possibility to flush a toilet by turn of coil of the electromagnetic valve (f.e. in the case of electricity blackout)
- parameters adjustment by remote control SLD 04

## Installation Drawing



- 1 - water supply
- 2 - stainless steel cover with electronics
- 3 - mounting box
- 4 - piezo button
- 5 - water outlet
- 6 - toilet bowl
- 7 - power supply

## Technical Specification

<b>Stainless steel cover dimension</b>	160 x 170 x 3 mm
<b>Mounting box dimension</b>	145 x 155 x 100 mm
<b>Operating voltage</b>	24 V DC
<b>Power input</b>	7 W
<b>Recommended flow pressure</b>	0,15 - 0,6 MPa
<b>Rate of flow</b>	70 l/min. by the pressure 0,15 MPa (inf. data)
<b>Water inlet</b>	Ø min. 32 mm (PN 16) male thread G 1"
<b>Water outlet</b>	male thread G 1"

## Supply Specification

**SLW 01PA - Supply No. 14016** stainless steel cover with piezo electronics, stainless steel mounting box with brass screw coupling and electromagnetic valve, inlet fitting with a rubber sealing, torx screws (4 pcs.)

## Recommended Accessories

<b>SLZ 01Y - Supply No. 05012</b>	power supply 24 V DC for operating of max. 5 pcs. of flushing units
<b>SLZ 01Z - Supply No. 05011</b>	power supply 24 V DC for operating of max. 9 pcs. of flushing units
<b>SLZ 04Y - Supply No. 05042</b>	power supply 24 V DC on DIN rail, for operating of max. 5 pcs. of flushing units
<b>SLZ 04Z - Supply No. 05041</b>	power supply 24 V DC on DIN rail, for operating of max. 9 pcs. of flushing units
<b>SLZ 04X - Supply No. 10049</b>	power supply 24 V DC on DIN rail, for operating of max. 15 pcs. of flushing units
<b>SLD 04 - Supply No. 07040</b>	remote control for an adjustment of parameters
<b>SLR 03 - Supply No. 08030</b>	mounting frame for hanging toilet and flushing unit SLW 01xx, SLW 03PA
<b>SLR 03N - Supply No. 08031</b>	mounting frame to the plasterboard for hanging toilet and flushing unit SLW 01xx, SLW 03PA
<b>SLR 03Z - Supply No. 08033</b>	mounting frame to the wall for hanging toilet and flushing unit SLW 01xx, SLW 03PA
<b>SLA 04 - Supply No. 06040</b>	plastic connection between the flushing and the toilet