

Coin and Token Machines for Door Opening

SLZA 40G, SLZA 40GZ



SLZA 40G



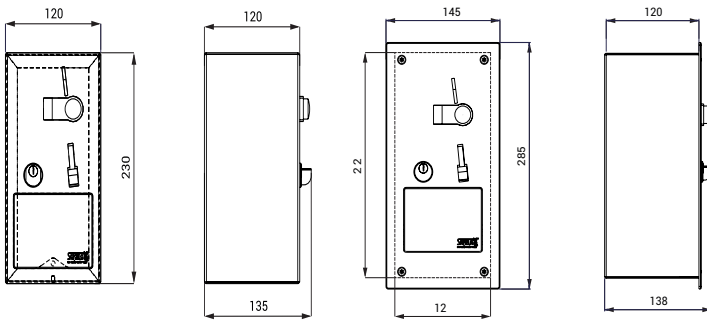
SLZA 40GZ

Characteristics



- **vandal-proof**
- coin and token machine for door opening (12 V), electromagnetic lock
- after inserting the minimal requested credit (coin or token) the door lock opens for adjusted time
- SMS message about filling in the cash register, including the current value of CZK
- index Z - recessed
- parameters adjustment on display inside of the machine using by the remote control SLD 05 (door lock unlocking interval, value for unlocking, current euro exchange rate, choice of control - mode **with** or **without** door contact)
- lockable
- material AISI - 304
- could be made to order from stainless steel AISI - 316L
- brushed finish

Installation Drawing



SLZA 40G

SLZA 40GZ

Technical Specification

Dimension of hole in the wall for models with index Z	265 x 127 x 125 mm
Operating voltage	24 V DC
Max. power input of electromagnetic lock	20 W
Power input in sleep mode	2,5 W
Types of coins	5, 10, 20 and 50 CZK, 1 and 2 EUR, metal token
Adjustable time for unlocking	1 - 310 s, standard 10 s
Adjustable minimum for unlocking	5 - 95 CZK, standard 5 CZK

Supply Specification

- SLZA 40G** - **Supply No. 88402** stainless steel coin machine with electronics, coin holder and coin box, set of keys (2 pcs.)
- SLZA 40GZ** - **Supply No. 88403** stainless steel coin machine with electronics, coin holder and coin box, set of keys (2 pcs.) mounting frame

Recommended Accessories

- SLZA 50** - **Supply No. 88500** set of 50 pcs. of tokens for coin machine
- SLZ 01Y** - **Supply No. 05012** power supply 24 V DC for operating of max. 1 pc. of machine
- SLZ 01Z** - **Supply No. 05011** power supply 24 V DC for operating of max. 3 pcs. of machines
- SLZ 04Y** - **Supply No. 05042** power supply 24 V DC for DIN rail, for operating of max. 1 pc. of machine
- SLZ 04Z** - **Supply No. 05041** power supply 24 V DC for DIN rail, for operating of max. 3 pcs. of machines
- SLZ 04X** - **Supply No. 10049** power supply 24 V DC for DIN rail, for operating of max. 5 pcs. of machines
- SLD 05** - **Supply No. 07050** remote control for an adjustment of parameters