

# Vandal-proof Combination Units SLWN 08



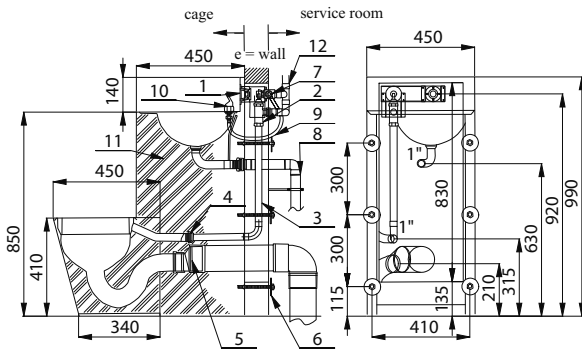
## Characteristics:



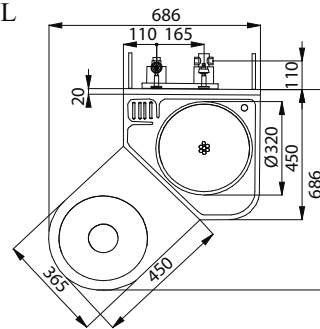
- **vandal-proof**
- **designed for prisons**
- corner combination unit (toilet and washbasin)
- washbasin spout, toilet paper holder and soap holder
- push button for washbasin spout
- push button for toilet flushing
- SLWN 08P - floor standing toilet on the right side
- SLWN 08L - floor standing toilet on the left side
- SLWN 08ZP - hung toilet on the right side
- SLWN 08ZL - hung toilet on the left side
- rear assembling by M10 screws (length 190 mm) from the service room
- material CrNi 18/10 (AISI - 304), thickness 1,5 mm
- filled with expanded polyurethane (to avoid dents and the typical metal noise)
- brushed finish

## Dimensions:

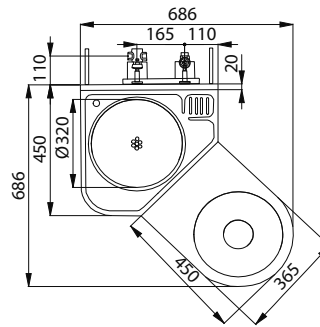
SLWN 08P/ZP



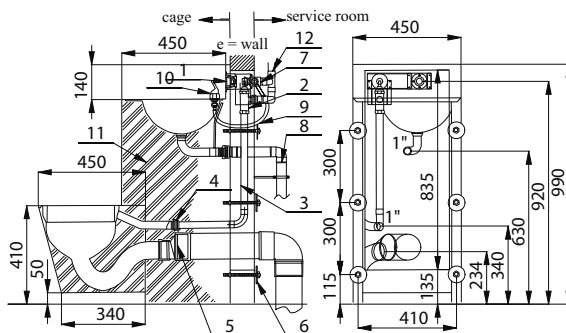
SLWN 08L/ZL



SLWN 08P/ZP



SLWN 08ZP/ZL



- 1 - push buttons for toilet flushing and washbasin spout
- 2 - toilet flushing valve - inlet male thread G 3/4"
- 3 - connecting pipe between toilet push button valve to the toilet (it isn't a part of delivery)
- 4 - connection to the toilet (it isn't a part of delivery)
- 5 - waste outlet connection (d = 100 mm) from toilet (it isn't a part of delivery)
- 6 - M10 screw (length 190 mm) + anchor + nut (6 pcs)
- 7 - washbasin valve - water inlet female thread G 1/2"; water outlet female thread G 1/2"
- 8 - waste outlet pipe from the washbasin (isn't a part of delivery)
- 9 - connecting hose between push button and washbasin spout (it isn't a part of delivery)
- 10 - washbasin spout
- 11 - filled with expanded polyurethane
- 12 - water inlet (isn't a part of delivery)

## Supply Specification:

- |           |   |                  |   |
|-----------|---|------------------|---|
| SLWN 08P  | - | supply No. 94082 | corner stainless steel combination unit (toilet and washbasin); 2x push button valve; |
| SLWN 08L  | - | supply No. 94081 | washbasin spout; 6x screw M10   |
| SLWN 08ZP | - | supply No. 94084 |   |
| SLWN 08ZL | - | supply No. 94083 |   |

## Recommended Accessories:

- |        |   |                  |   |
|--------|---|------------------|---|
| SLA 25 | - | supply No. 06250 | set for connection between push button valve and toilet and between push button valve and washbasin spout |
|--------|---|------------------|---|

# Vandal-proof Combination Units SLWN 18



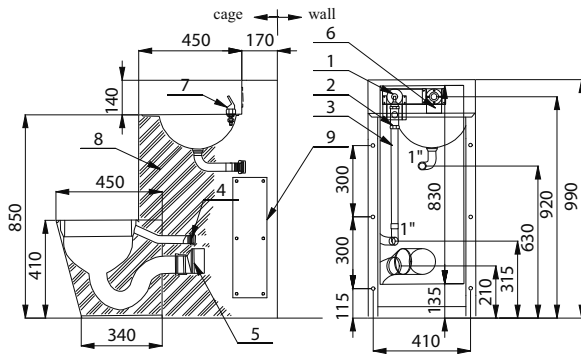
## Characteristics:



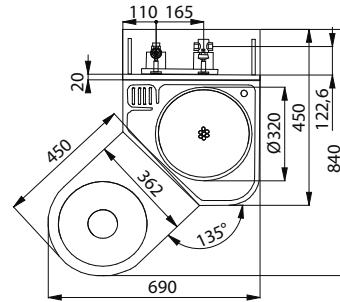
- vandal-proof
- corner combination unit (toilet and washbasin)
- washbasin spout, toilet paper holder and soap holder
- push button for washbasin spout
- push button for toilet flushing
- SLWN 18P - floor standing toilet on the right side
- SLWN 18L - floor standing toilet on the left side
- SLWN 18ZP - hung toilet on the right side
- SLWN 18ZL - hung toilet on the left side
- assembling through service door
- material CrNi 18/10 (AISI - 304), thickness 1,5 mm
- filled with expanded polyurethane (to avoid dents and the typical metal noise)
- brushed finish

## Dimensions:

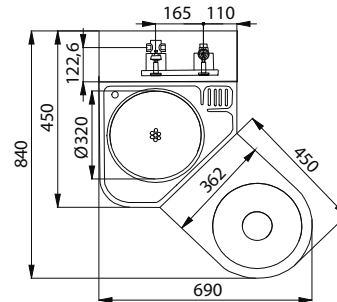
SLWN 18P/L



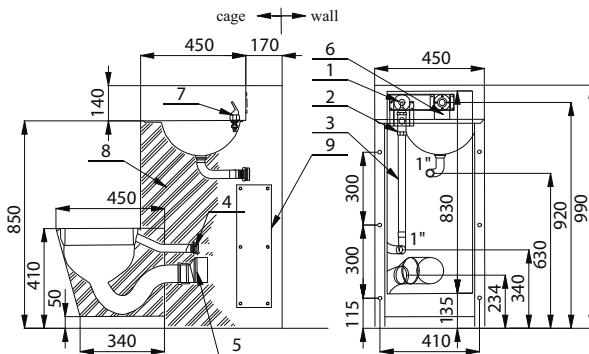
SLWN 18L/ZL



SLWN 18P/ZP



SLWN 18ZP/ZL



- 1 - push buttons for toilet flushing and washbasin spout
- 2 - toilet flushing valve - inlet male thread G 3/4"
- 3 - connecting pipe between toilet push button valve to the toilet (it isn't a part of delivery)
- 4 - connection to the toilet (it isn't a part of delivery)
- 5 - waste outlet connection (d = 100 mm) from toilet (it isn't a part of delivery)
- 6 - washbasin valve - water inlet female thread G 1/2"; water outlet female thread G 1/2"
- 7 - washbasin spout
- 8 - filled with expanded polyurethane
- 9 - service door

## Supply Specification:

- SLWN 18P – supply No. 94182 corner stainless steel combination unit (toilet and washbasin); 2x push button valve;  
 SLWN 18L – supply No. 94181 washbasin spout; mounting set  
 SLWN 18ZP – supply No. 94184  
 SLWN 18ZL – supply No. 94183

## Recommended Accessories:

- SLA 25 – supply No. 06250 set for connection between push button valve and toilet and between push button valve and washbasin spout