

Vandal-proof Stainless Steel Toilets

SLWN 13, SLWN 14, SLWN 07



Characteristics:



EN 997

- for disabled people
- **vandal-proof**
- **designed for prisons**
- stainless steel floor standing conical toilet fixed to the wall
- blind holes for a toilet cover seat
- assembling through service door
- material CrNi 18/10 (AISI - 304)
- filled with expanded polyurethane (to avoid dents and typical metal noise)
- brushed finish

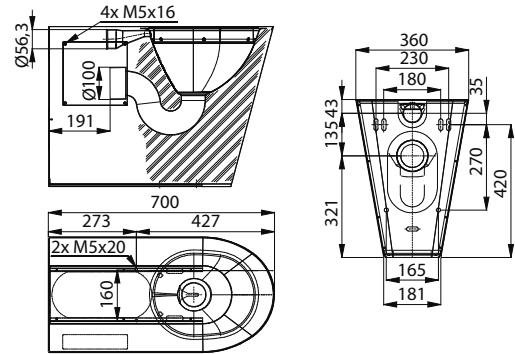


SLWN 13

Supply Specification:

SLWN 13 – supply No. 94130 stainless steel toilet (without a toilet cover seat)

Dimensions:



Characteristics:

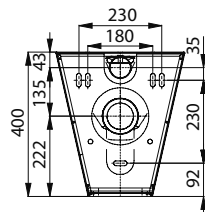


EN 997

- **vandal-proof**
- **designed for prisons**
- stainless steel floor standing conical toilet fixed to the wall
- blind holes for a toilet cover seat
- assembling through service door
- material CrNi 18/10 (AISI - 304)
- filled with expanded polyurethane (to avoid dents and typical metal noise)
- brushed finish



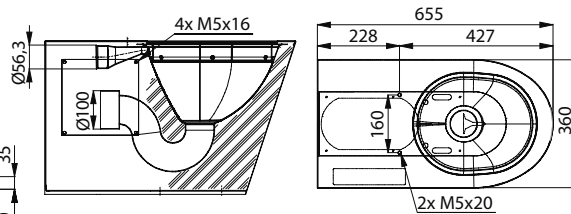
SLWN 14



Supply Specification:

SLWN 14 – supply No. 94140 stainless steel toilet (without a toilet cover seat)

Dimensions:



Recommended Accessories for SLWN 13, SLWN 14:

SLZN 31 – supply No. 95310 black toilet cover seat from special hardened plastic

Characteristics:



- **vandal-proof**
- **designed for prisons**
- stainless steel squatting pan for recessed or on top mounting
- two flushing heads G 1/2"
- material CrNi 18/10 (AISI - 304), thickness 1,5 mm
- brushed finish



SLWN 07

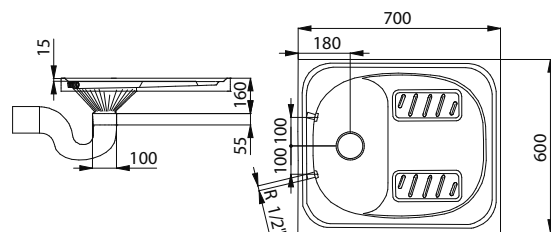


SLA 27

Supply Specification:

SLWN 07 – supply No. 94070 stainless steel squatting pan; two flushing heads; siphon

Dimensions:



Recommended Accessories:

SLA 27 – supply No. 06270 mounting set for connecting to automatic flushing unit SLW 01NK(PA)
 SLW 01NK – supply No. 04015 automatic flushing unit
 SLW 01PA – supply No. 14016 piezo flushing unit