

Stainless Steel Cleaner's Sink SLVN 02



SLU 10

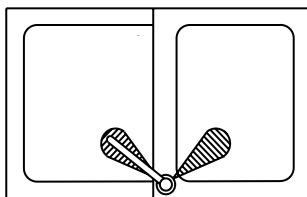
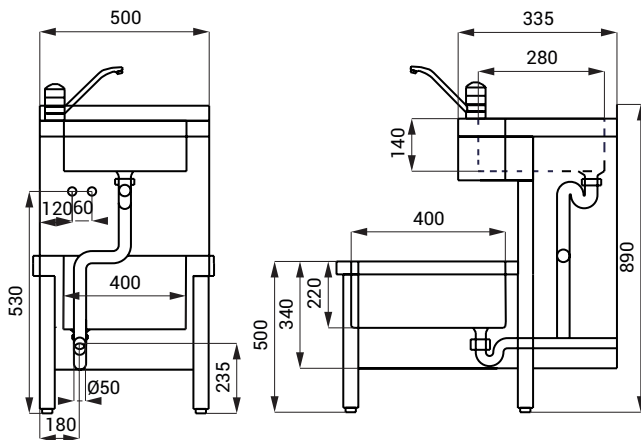
SLVN 02

Characteristics



- **hygienic flush**
- SLVN 02 - stainless steel floor standing cleaner's sink with washbasin and grating, without a tap hole (could be made to order), is destined for the installation to the open space
- SLVN 02E - stainless steel floor standing combined cleaner's sink with washbasin, grating and automatic tap SLU 10 (2 active ranges)
- SLVN 02EB - stainless steel floor standing combined cleaner's sink with washbasin, grating and automatic tap SLU 10B (2 active ranges)
- material AISI - 304
- brushed finish

Dimensions



Active range

Technical Specification

Operating voltage

- SLVN 02E 24 V DC
- SLVN 02EB 6 V

Power input

- operating by 24 V 14 W
- operating by 6 V 11 W

Battery life

- 4 pcs. AA alkaline batteries approx. 2 years (100 uses per day)

Rate of flow

- 12 l/min. (inf. data)

Water inlet

- male thread G 1/2"

Water temperature regulation

- integrated mixer

Supply Specification

- SLVN 02 - Supply No. 98020 stainless steel cleaner's sink with washbasin, grating, siphon, SLU 10 (SLVN 02E),
 SLVN 02E - Supply No. 98021 SLU 10B and 4 pcs. AA alkaline batteries 1,5 V, 2700 mAh with battery case
 SLVN 02EB - Supply No. 98022 (SLVN 02EB)

Recommended Accessories

- SLZ 01Y - Supply No. 05012 power supply 24 V DC for operating of max. 2 pcs. washbasin taps
 SLZ 01Z - Supply No. 05011 power supply 24 V DC for operating of max. 4 pcs. washbasin taps
 SLZ 04Y - Supply No. 05042 power supply 24 V DC for DIN rail, for operating of max. 2 pcs. washbasin taps
 SLZ 04Z - Supply No. 05041 power supply 24 V DC for DIN rail, for operating of max. 4 pcs. washbasin taps
 SLZ 04X - Supply No. 10049 power supply 24 V DC for DIN rail, for operating of max. 7 pcs. washbasin taps
 SLD 03 - Supply No. 07030 remote control for an adjustment of parameters
 SLA 09 - Supply No. 06090 lithium battery 9V/1200 mAh, type U9VL (for models with index B)
 SLA 36 - Supply No. 06360 set of 4 pcs. alkaline batteries AA, 1,5 V, 2700 mAh (for models with index B)
 SLA 55A - Supply No. 06550 economical aerator 3,8 l/min
 SLA 55B - Supply No. 06551 economical aerator 1,9 l/min