

# Stainless Steel Automatic Drinking Fountain SLUN 62E



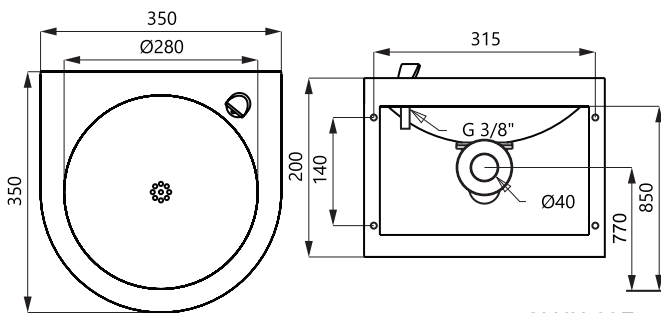
SLUN 62E

## Characteristics



- **hygienic flush**
- stainless steel wall hung drinking fountain with automatic infra-red drinking spout
- system reacts to the user's face in front of the sensor
- water stops after user leaving the active range of the sensor
- function of automatic water stop after 5 minutes of continuous flow
- monitoring of battery capacity (for models with index B)
- START/STOP program
- parameter adjustment using by the remote control SLD 03
- water flow regulation on drinking spout
- material AISI - 304
- brushed finish

## Dimensions



SLUN 62E

## Technical Specification

### Operating voltage

- SLUN 62E 24 V DC
- SLUN 62EB 6 V

### Power input

- operating by 24 V DC 7 W
- operating by 6 V 3 W

### Battery life

- 4 pcs. AA alkaline batteries approx. 2 years (100 uses per day)

### Active range

- 0,23 - 0,31 m

### Recommended flow pressure

- 0,1 - 0,6 MPa

### Rate of flow

- 0,4 l/min. (inf. data)

### Water inlet

- male thread G 1/2"

## Supply Specification

SLUN 62E - Supply No. 93621  
SLUN 62EB - Supply No. 93622

stainless steel drinking fountain, drinking spout with electronics, electromagnetic valve (1 pc.), angle valve with filter (1 pc.), connecting hoses, siphon, mounting set, 4 pcs. AA alkaline batteries 1,5 V, 2700 mAh (SLUN 62EB)

## Recommended Accessories

SLZ 01Y - Supply No. 05012  
SLZ 01Z - Supply No. 05011  
SLZ 04Y - Supply No. 05042  
SLZ 04Z - Supply No. 05041  
SLZ 04X - Supply No. 10049  
SLD 03 - Supply No. 07030  
SLA 36 - Supply No. 06360

power supply 24 V DC for operating of max. 5 pcs. of spouts  
power supply 24 V DC for operating of max. 9 pcs. of spouts  
power supply 24 V DC for DIN rail, for operating of max. 5 pcs. of spouts  
power supply 24 V DC for DIN rail, for operating of max. 9 pcs. of spouts  
power supply 24 V DC for DIN rail, for operating of max. 15 pcs. of spouts  
remote control for an adjustment of parameters  
set of 4 pcs. alkaline batteries AA, 1,5 V, 2700 mAh (for models with index B)