

Automatic Mixer for Sink SLU 23D

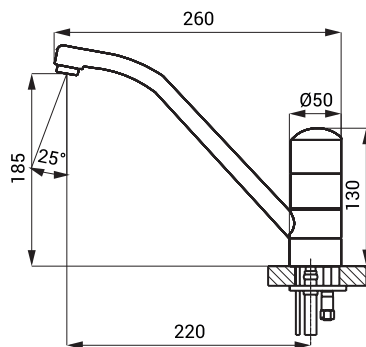


Characteristics



- **hygienic flush**
- fixed faucet
- is destined for cold and hot water, temperature is regulated by mixer
- water is flowing as long as hands are in the active range
- water stops flowing after removal of hands from the active range of sensor after adjustable time delay (can be set in range 0,25 – 7,75 s)
- function of automatic water stop after 5 minut of continuous flow
- monitoring of battery capacity (for models with index B)
- START/STOP program
- parameter adjustment using by the remote control SLD 03

Dimensions



Technical Specification

Operating voltage

- SLU 23D 24 V DC
- SLU 23DB 6 V

Power input

- operating by 24 V DC 13 W
- operating by 6 V 11 W

Battery life

- 4 pcs. AA alkaline batteries approx. 2 years (100 uses per day)
AA, 1,5 V, 2700 mAh

Active range

- standard 0,21 - 0,27 m
- START/STOP program 0,05 - 0,15 m

Recommended flow pressure

0,1 - 0,6 MPa

Rate of flow

12 l/min. (inf. data)

Water inlet

male thread G 1/2"

Supply Specification

SLU 23D - Supply No. 13231
SLU 23DB - Supply No. 13232

elongated faucet with mixer cartridge and electronics, holder of electronics, electromagnetic valve (2 pcs.), connecting hoses, angle valve with filter and check valve (2 pcs.), 4 pcs. AA alkaline batteries 1,5 V, 2700 mAh with battery case (SLU 23DB)

Recommended Accessories

SLZ 01Y - Supply No. 05012	power supply 24 V DC for operating of max. 2 pcs. of washbasin taps
SLZ 01Z - Supply No. 05011	power supply 24 V DC for operating of max. 4 pcs. of washbasin taps
SLZ 04Y - Supply No. 05042	power supply 24 V DC for DIN rail, for operating of max. 2 pcs. of washbasin taps
SLZ 04Z - Supply No. 05041	power supply 24 V DC for DIN rail, for operating of max. 4 pcs. of washbasin taps
SLZ 04X - Supply No. 10049	power supply 24 V DC for DIN rail, for operating of max. 7 pcs. of washbasin taps
SLD 03 - Supply No. 07030	remote control for an adjustment of parameters
SLA 36 - Supply No. 06360	set of 4 pcs. alkaline batteries AA, 1,5 V, 2700 mAh (for models with index B)