

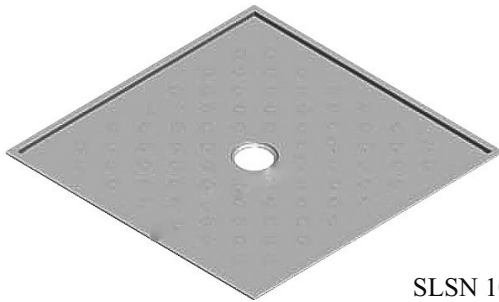
Stainless Steel Shower Tray SLSN 10

Stainless Steel Bath Tubs SLSN 09, SLSN 11



Characteristics: NEW

- stainless steel pressed shower tray 1000 x 1000 mm
- with non-skid surface
- material CrNi 18/10 (AISI-304), thickness 1 mm
- brushed finish

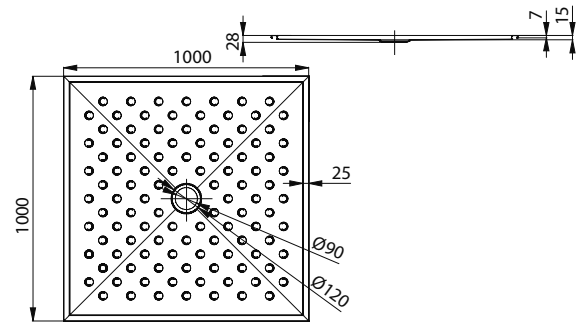


SLSN 10

Supply Specification:

SLSN 10 – supply No. 82100 stainless steel shower tray; siphon

Dimensions:



Characteristics: +

- suitable for medical facilities
- stainless steel bath tub
- with waste outlet
- with overflow hole
- without siphon
- without mounting legs (tub for recessed installation)
- material CrNi 18/10 (AISI 304), thickness 1,5 mm
- brushed finish
- different dimensions could be made to order

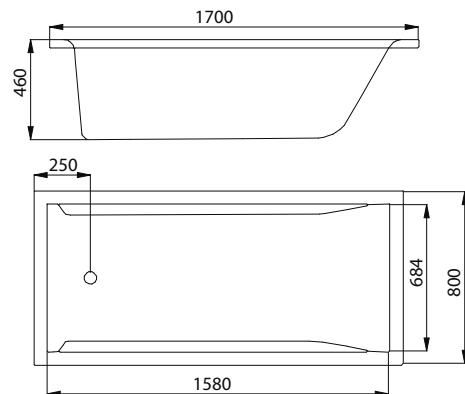


SLSN 09

Supply Specification:

SLSN 09 – supply No. 92090 stainless steel bath tub

Dimensions:



Characteristics: NEW +

- suitable for medical facilities
- stainless steel baby bath tub
- with waste outlet
- without overflow hole, without siphon
- without mounting legs (tub for recessed installation)
- volume 8 l
- material CrNi 18/10 (AISI 304), thickness 1,2 mm
- brushed finish

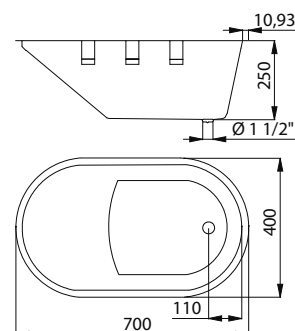


SLSN 11

Supply Specification:

SLSN 11 – supply No. 92110 stainless steel baby bath tub

Dimensions:



Stainless Steel Shower Tray, Bath Tubs