

Stainless Steel Shower Trays

SLSN 06, SLSN 07, SLSN 08

Characteristics

- stainless steel pressed shower tray 700 x 700 mm
- with non-skid surface
- for recessed or surface mounting
- material CrNi 18/10 (AISI-304), thickness 1 mm
- brushed finish

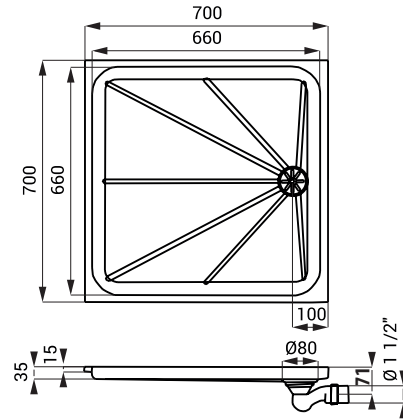


SLSN 06

Supply Specification

SLSN 06 - supply No. 92060 stainless steel shower tray; siphon

Dimensions



Characteristics

- stainless steel pressed shower tray 800 x 800 mm
- with non-skid surface
- for recessed or surface mounting
- material CrNi 18/10 (AISI-304), thickness 1 mm
- brushed finish

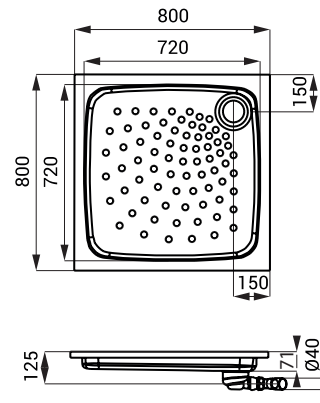


SLSN 07

Supply Specification

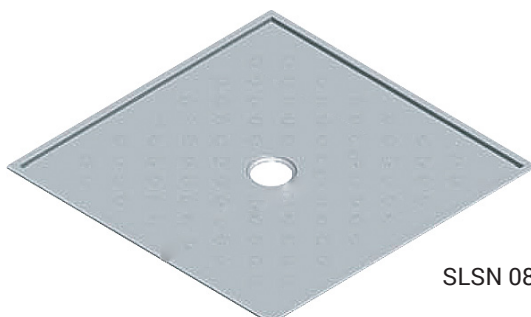
SLSN 07 - supply No. 92070 stainless steel shower tray; siphon

Dimensions



Characteristics

- stainless steel pressed shower tray 900 x 900 mm
- with non-skid surface
- for recessed or surface mounting
- material CrNi 18/10 (AISI-304), thickness 1 mm
- brushed finish



SLSN 08

Supply Specification

SLSN 08 - supply No. 92080 stainless steel shower tray; siphon

Dimensions

