

Vandal-proof Stainless Steel Urinals

SLPN 06, SLPN 09



Characteristics:

- **vandal-proof**
- **designed for prisons**
- stainless steel wall hung round urinal with flushing head (connection 3/8")
- rear assembling by M10 screws, (length 190 mm) from the service room
- material CrNi 18/10 (AISI - 304), thickness of bowl 1 mm, thickness of sheating 1,5 mm
- filled by expanded polyurethane (to avoid dents and the typical metal noise)
- brushed finish

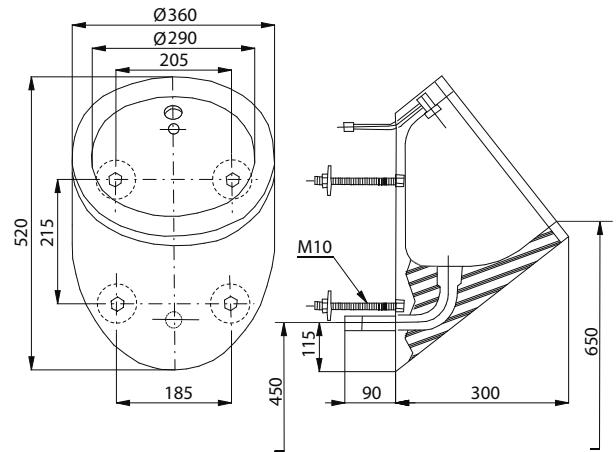


SLPN 06

Supply Specification:

SLPN 06 – **supply No. 91060** stainless steel urinal; flushing head; 4x M10 screw

Dimensions:



Characteristics:

- **vandal-proof**
- stainless steel wall hung round urinal with shower head (connection 3/8")
- assembling through service door
- material CrNi 18/10 (AISI - 304), thickness of bowl 1 mm, thickness of sheating 1,5 mm
- filled by expanded polyurethane (to avoid dents and the typical metal noise)
- brushed finish

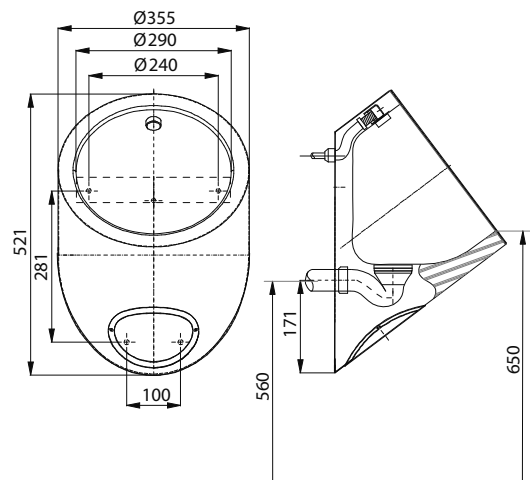


SLPN 09

Supply Specification:

SLPN 09 – **supply No. 91090** stainless steel urinal; flushing head; siphon; mounting set

Dimensions:



Vandal-proof Stainless Steel Urinals