

Automatic Wall Mounted Hand Dryers

SLO 01L, SLO 01S, SLO 02E, SLO 02M



Characteristics: **NEW**

- jet wall mounted hand dryer
- comes into operation and stops automatically inserting and removing your hands
- fast drying because of drying from both sides
- water drains to the tank placed in the bottom part of the dryer, no floor pollution by water under the dryer
- plastic cover

Technical Specification:

Dimensions:	650 x 300 x 230 mm
Operating voltage:	230 V/ 50 Hz
Power input:	1750 W
Air flow:	300 km/ h
Protection:	class II, IP 31
Weight:	9,5 kg
Volume:	< 60 dB

Supply Specification:

SLO 01L – supply No. 79011 automatic wall mounted hand dryer, white colour

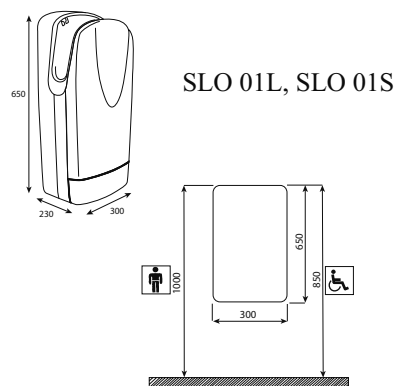
SLO 01S – supply No. 79012 automatic wall mounted hand dryer, grey colour



SLO 01L

SLO 01S

Dimensions:



Characteristics: **NEW**

- electrical wall mounted hand dryers
- **SLO 02M** - mechanical - air is flowing after mechanical switch on by push of the button in front side of the dryer, adjustable time from 25 to 60 sec.
- **SLO 02E** - automatic - air is flowing as long as hands are in the active range
- stainless steel brushed cover, thickness 2 mm
- revolving chromed air outlet, that enable face or hair drying

Technical Specification:

Dimensions:	248 x 284 x 202 mm
Operating voltage:	230 V/ 50 Hz
Power input:	2400 W
Air flow:	100 km/ h
Protection:	Class I, IPX1
Weight:	7 kg
Volume:	< 70 dB

Supply Specification:

SLO 02M – supply No. 79023 mechanical wall mounted hand dryer with stainless steel cover and push button

SLO 02E – supply No. 79024 automatic wall mounted hand dryer with stainless steel brushed cover



SLO 02E

SLO 02M

Dimensions:

