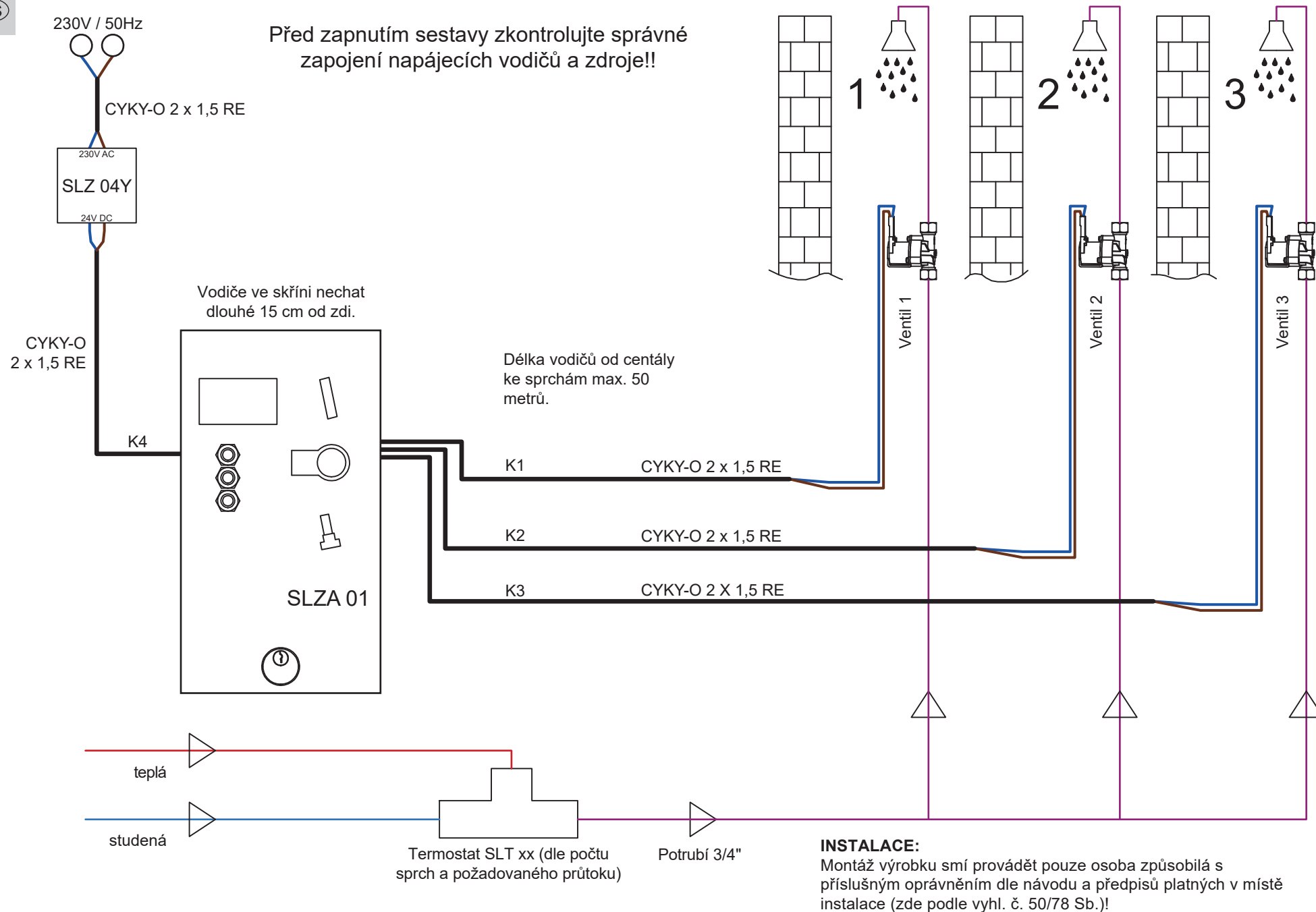
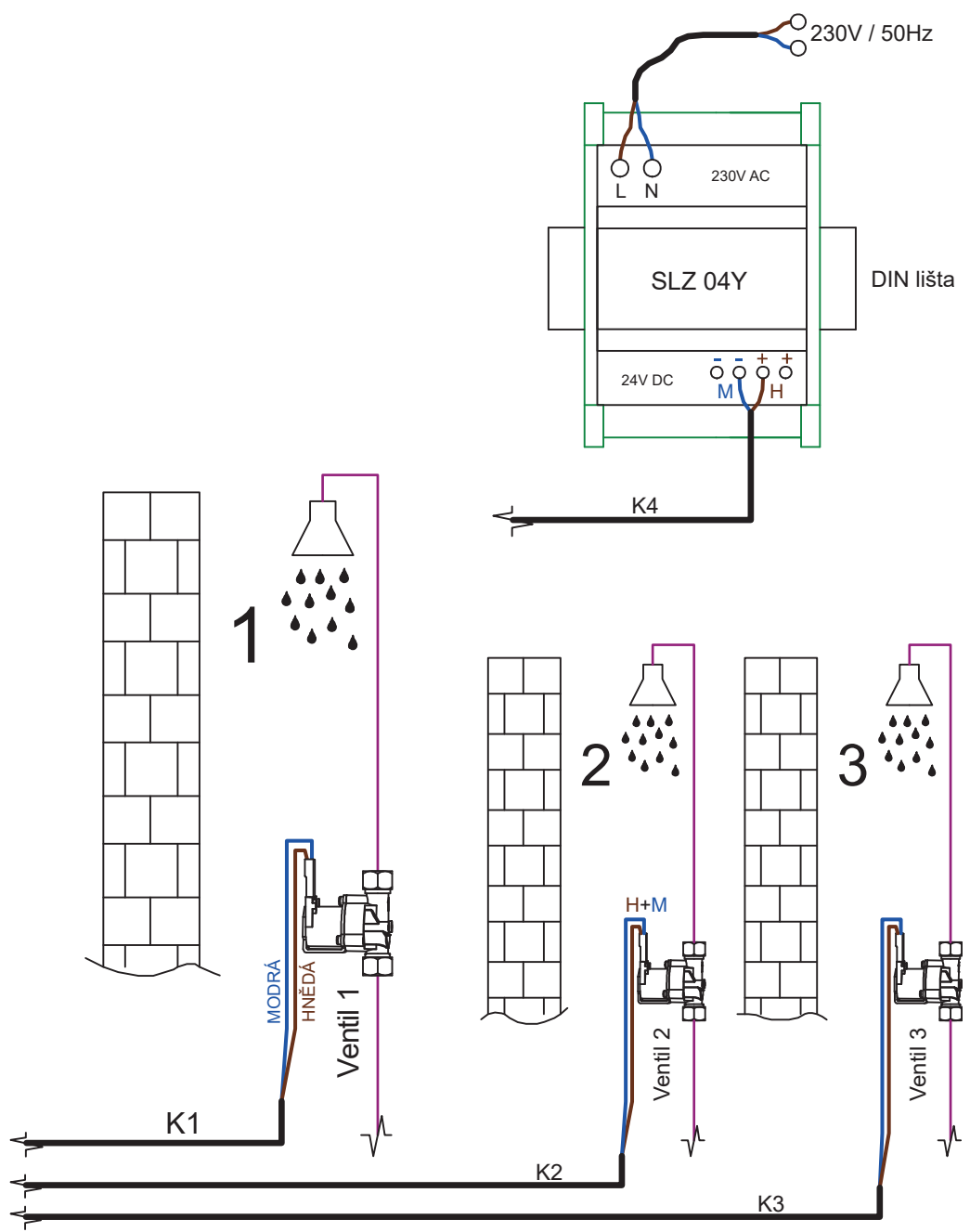
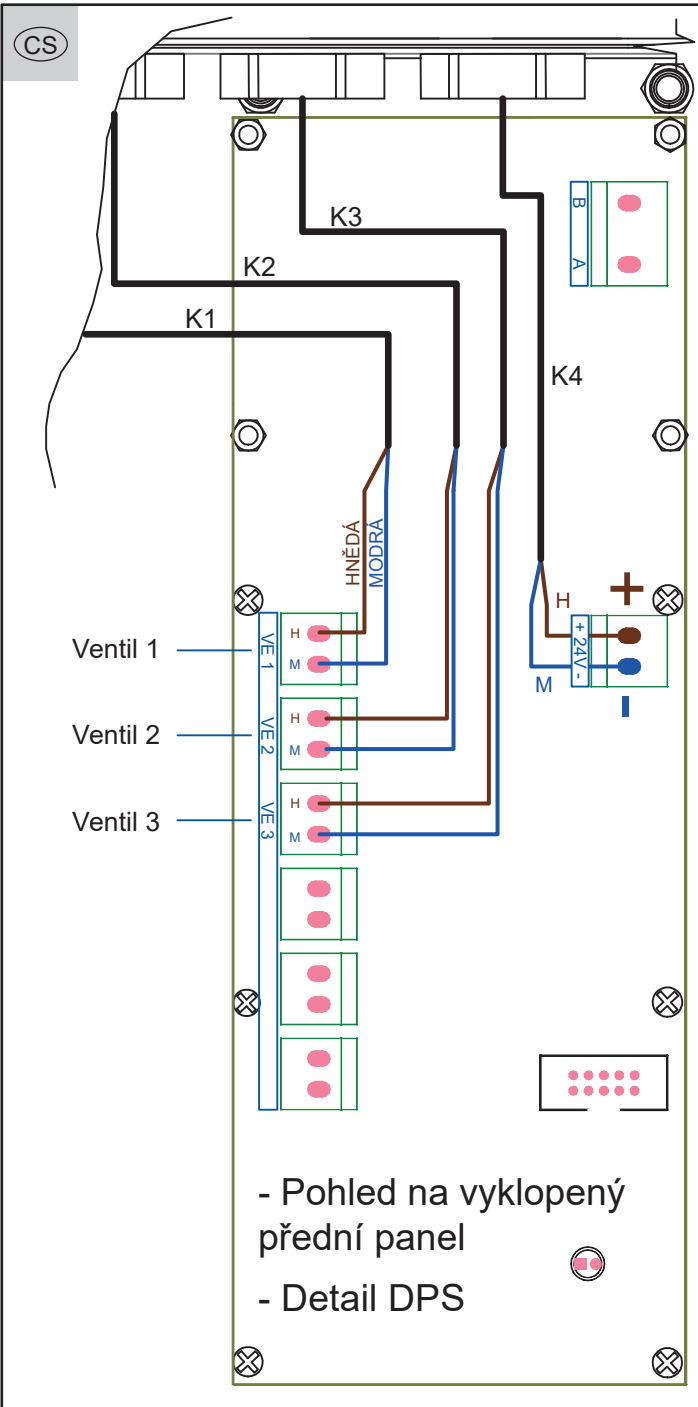
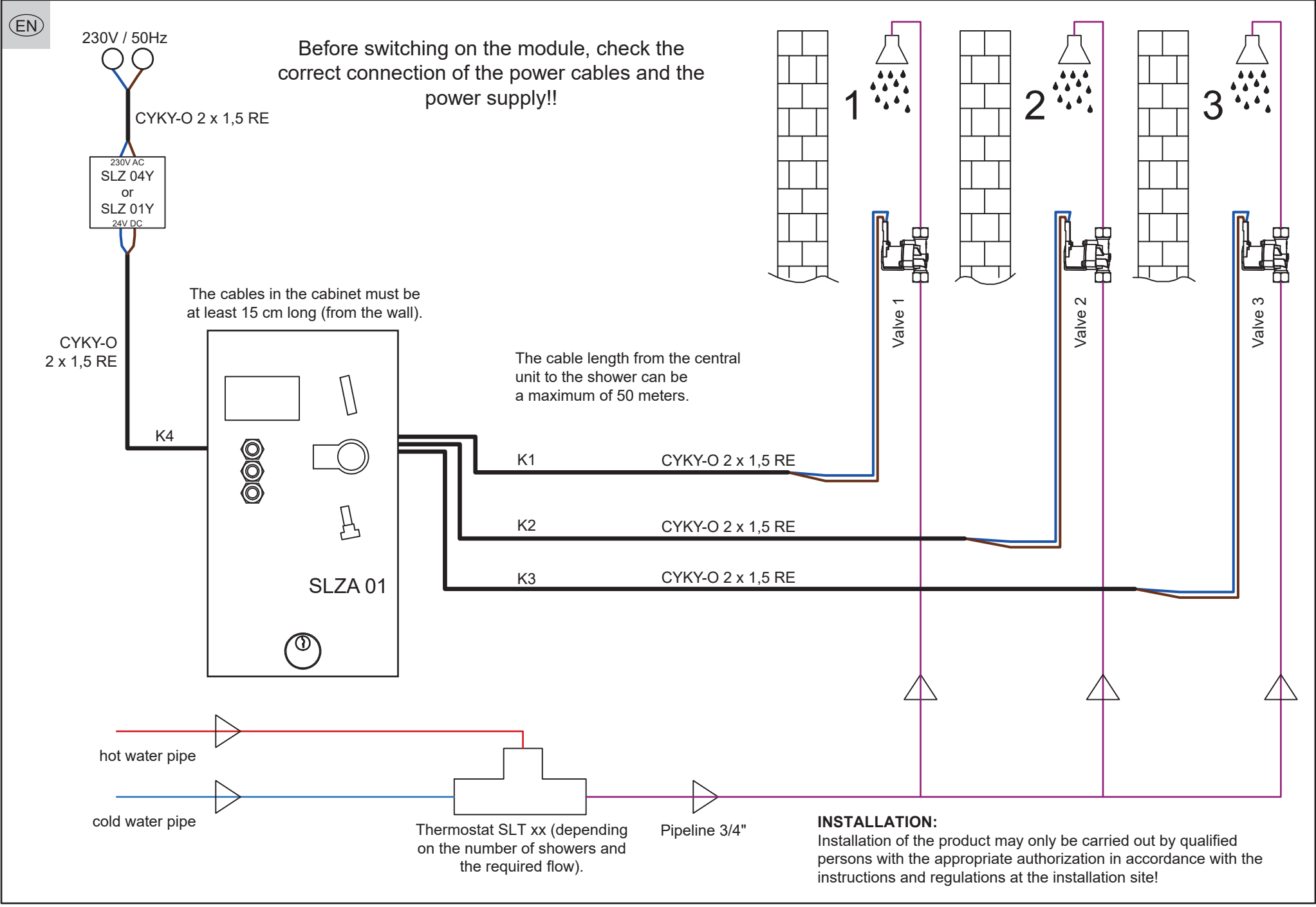


CS







EN

230V / 50Hz

Before switching on the module, check the correct connection of the power cables and the power supply!!

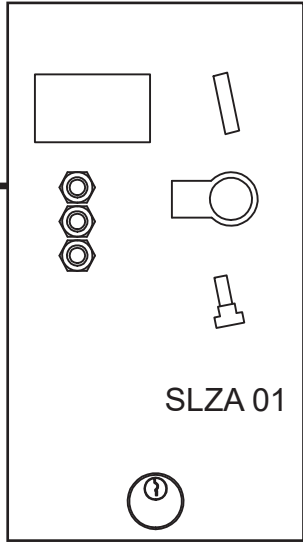
CYKY-O 2 x 1,5 RE

230V AC  
SLZ 04Y  
or  
SLZ 01Y  
24V DC

The cables in the cabinet must be at least 15 cm long (from the wall).

CYKY-O  
2 x 1,5 RE

K4



SLZA 01

The cable length from the central unit to the shower can be a maximum of 50 meters.

K1 CYKY-O 2 x 1,5 RE

K2 CYKY-O 2 x 1,5 RE

K3 CYKY-O 2 x 1,5 RE

1

2

3

Valve 1

Valve 2

Valve 3

hot water pipe

cold water pipe

Thermostat SLT xx (depending on the number of showers and the required flow).

Pipeline 3/4"

**INSTALLATION:**  
Installation of the product may only be carried out by qualified persons with the appropriate authorization in accordance with the instructions and regulations at the installation site!

