

Automatic Device for Single-phase Appliance, Multiple Payment Methods SLZA 43B



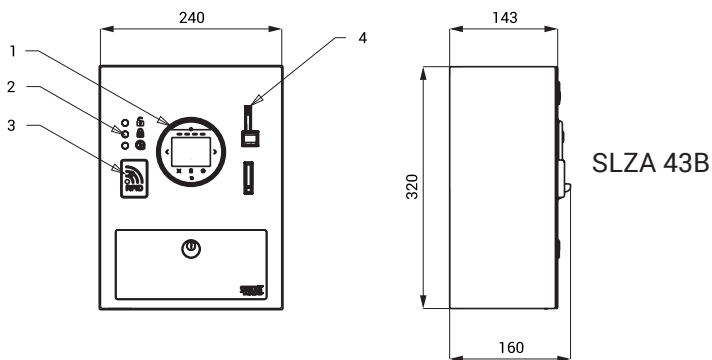
SLZA 43B

Characteristics



- includes Bluetooth control (paid Sanela control app available for download)
- vandal-proof
- automatic device for single-phase appliances, multiple payment methods, 1 - 4 devices
- a single-phase appliance selection is made on the display of the payment terminal
- payment with coins, tokens, RFID tokens, contactless payment card, Google Pay or Apple Pay
- the device adds up the coins but does not return
- after payment the device switches on the selected contactor of the single-phase appliance (e.g. washing machine, hair dryer, TV) for the paid time
- automatic notification when the cash register is full as an option
- parameter setting and communication with the electronics via the Sanela Control app (Bluetooth)
- lockable
- for indoor use, temperature range +5 to +40 °C
- material stainless steel AISI 304 (1.4301)
- brushed finish

Installation Drawing



- 1 - credit card reader
- 2 - status indicator
- 3 - RFID token credit value reader
- 4 - coin box

Technical Specification

Dimensions	320 x 240 x 160 mm
Weight	7,85 kg
Thickness of material	
▪ the front cover	3 mm
▪ box	1,5 mm
Operating voltage	24 V DC
Power input in sleep mode	8 W
Power input with output switched on (of 1 device)	10,1 W
Power input with output switched on (of 2 devices)	12,2 W
Accepted coins	0,5, 1 and 2 EUR
Adjustable time for switch	30 sec. - 16 hours
Adjustable minimum value for switch	1 €

Supply Specification

SLZA 43B - Supply No. 89430 stainless steel payment device with electronics including Bluetooth module, coin box, coin holder, credit card reader, RFID token credit value reader, set of keys (2 pcs.), SW appliance

Recommended Accessories

SLZ 01Y	- Supply No. 05012	power supply 24 V DC for operating of max. 1 pc. of device
SLZ 01Z	- Supply No. 05011	power supply 24 V DC for operating of max. 3 pcs. of devices
SLZ 04Y	- Supply No. 05042	power supply 24 V DC for DIN rail, for operating of max. 1 pc. of device
SLZ 04Z	- Supply No. 05041	power supply 24 V DC for DIN rail, for operating of max. 3 pcs. of devices
SLZ 04X	- Supply No. 10049	power supply 24 V DC for DIN rail, for operating of max. 5 pcs. of devices
SLZA 30	- Supply No. 89300	programming station for RFID tokens
SLZA 30C	- Supply No. 89301	RFID token credit value reader
SLZA 30CZ	- Supply No. 89302	RFID token credit value reader - recessed
SLZA 38	- Supply No. 89380	programming station for RFID tokens
SLZA 50	- Supply No. 88500	set of 50 pcs. of tokens for coin device
SLZA 51	- Supply No. 88510	set of 50 pcs. of plastic RFID tokens for token devices, yellow color
SLZA 51B	- Supply No. 88511	set of 50 pcs. of plastic RFID tokens for token devices, blue color
SLZA 51R	- Supply No. 88512	set of 50 pcs. of plastic RFID tokens for token devices, red color (logo on the token is not possible)
SLZA 53	- Supply No. 88530	contactor 24 V DC
SLZA 55	- Supply No. 88551	set of RFID bracelets, yellow colour
SLZA 58	- Supply No. 85580	set of parts for niche mounting the SLZA 43xx
SANELA CONTROL APP		available for download on the App Store and Play Store



SLZA 30C



SLZA 38



SLZA 30CZ



SLZA 30



SLZA 50



1 pc. from set of 50 pcs.
tokens SLZA 51



1 pc. from set of 50 pcs.
tokens SLZA 51B



1 pc. from set of 50 pcs.
tokens SLZA 51R



SLZA 53



SLZA 55



SLZA 58