

Piezo Urinal Flushing Unit SLP 02NP

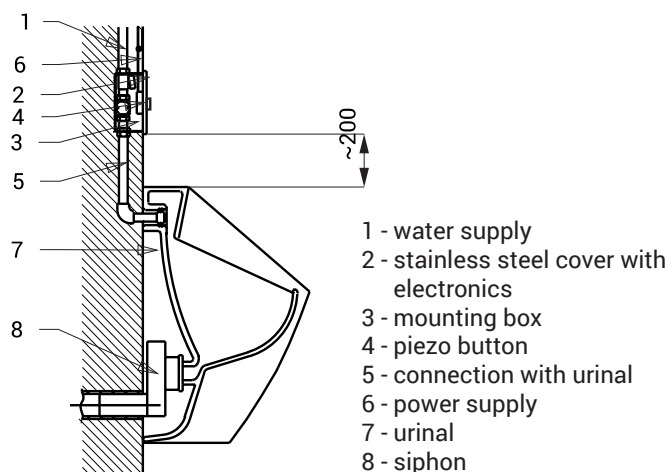


Characteristics



- vandal-proof
- water flows after soft push of the piezo button
- adjustable flushing time 0,5 - 15,5 s, standard 4 s
- parameters adjustment by remote control SLD 04
- automatic hygiene flushing after 24 hours non-use
- possibility to regulate a water flow by the ball valve

Installation Drawing



- 1 - water supply
- 2 - stainless steel cover with electronics
- 3 - mounting box
- 4 - piezo button
- 5 - connection with urinal
- 6 - power supply
- 7 - urinal
- 8 - siphon

Technical Specification

Stainless steel cover dimension	170 x 170 x 10 mm
Mounting box dimension	140 x 140 x 75 mm
Operating voltage	24 V DC
Power input	7 W
Recommended flow pressure	0,1 - 0,6 MPa
Rate of flow	18 l/min (inf. data)
Water inlet	male thread G 3/4"
Water outlet	male thread G 3/4"

Supply Specification

SLP 02NP - Supply No. 42024 stainless steel cover with piezo electronics, plastic mounting box with brass screw coupling, electromagnetic valve and ball valve

Recommended Accessories

SLZ 01Y - Supply No. 05012	power supply 24 V DC for operating of max. 5 pcs. of flushing units
SLZ 01Z - Supply No. 05011	power supply 24 V DC for operating of max. 9 pcs. of flushing units
SLZ 04Y - Supply No. 05042	power supply 24 V DC on DIN rail, for operating of max. 5 pcs. of flushing units
SLZ 04Z - Supply No. 05041	power supply 24 V DC on DIN rail, for operating of max. 9 pcs. of flushing units
SLZ 04X - Supply No. 10049	power supply 24 V DC on DIN rail, for operating of max. 15 pcs. of flushing units
SLZ 06 - Supply No. 05060	power supply 24 V DC for operating of max. 1 pc. of flushing unit
SLD 04 - Supply No. 07040	remote control for an adjustment of parameters
SLA 02 - Supply No. 06020	inlet fitting with a rubber seal for the urinals with back water inlet
SLR 02 - Supply No. 08020	mounting frame to the plasterboard for urinal and flushing unit, which is placed above the urinal
SLR 22 - Supply No. 08220	mounting frame to the plasterboard constructions, for mounting to the floor and to the back wall, is destined for ceramic urinals and Sanela stainless steel urinals (SLPN 07, SLPN 09) and infra-red flushing unit, which is placed above the urinal (SLP 02, SLP 06)