

# RFID Token Credit Value Readers

## SLZA 30C, SLZA 30CZ



SLZA 30CZ

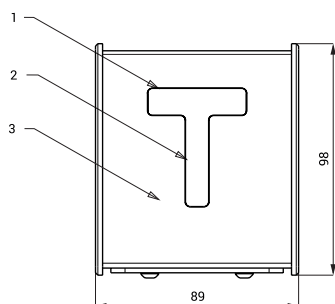


SLZA 30C

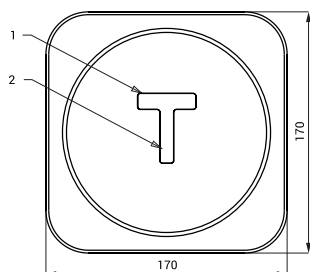
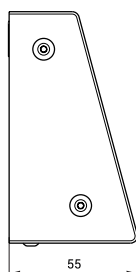
### Characteristics

- stainless steel credit value readers for RFID tokens
- for check of credit value on RFID token
- possibility of automatic charging of the units to the token
- model with index C - wall hung credit value reader
- model with index CZ - recessed credit value reader
- material AISI - 304
- brushed finish

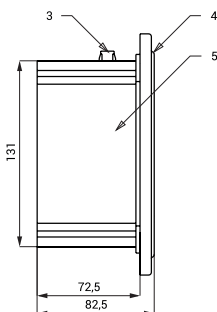
### Dimensions



SLZA 30C



SLZA 30CZ



- 1 - display
- 2 - RFID active range
- 3 - power supply 24 V DC
- 4 - stainless steel cover with electronics
- 5 - plastic mounting box

### Technical Specification

<b>Stainless steel cover dimension (SLZA 30CZ)</b>	170 x 170 x 10 mm
<b>Plastic mounting box dimensions (SLZA 30CZ)</b>	140 x 140 x 75 mm
<b>Dimension (SLZA 30C)</b>	96 x 74 x 51 mm
<b>Operating voltage</b>	24 V DC
<b>Power input</b>	2 W

- 1 - display
- 2 - RFID active range
- 3 - stainless steel case with plastic sideboards

### Supply Specification

<b>SLZA 30C</b> - Supply No. 89301	stainless steel credit value reader with display
<b>SLZA 30CZ</b> - Supply No. 89302	stainless steel credit value reader with display, plastic mounting box

### Recommended Accessories

<b>SLZ 01Y</b> - Supply No. 05012	power supply 24 V DC
<b>SLZ 04Y</b> - Supply No. 05042	power supply 24 V DC for DIN rail
<b>SLZA 30</b> - Supply No. 89300	programming station for RFID tokens
<b>SLZA 31</b> - Supply No. 89310	stainless steel RFID token wall hung panel with RFID token credit value reader
<b>SLZA 32</b> - Supply No. 89321	stainless steel RFID token wall hung panel with RFID token credit value reader
<b>SLZA 32T</b> - Supply No. 89320	stainless steel RFID token wall hung panel with RFID token credit value reader
<b>SLZA 38</b> - Supply No. 89380	programming station for RFID tokens
<b>SLZA 51</b> - Supply No. 88510	set of 50 pcs. of plastic RFID tokens for token machines, yellow color
<b>SLZA 51B</b> - Supply No. 88511	set of 50 pcs. of plastic RFID tokens for token machines, blue color
<b>SLZA 51R</b> - Supply No. 88512	set of 50 pcs. of plastic RFID tokens for token machines, red color (logo on the token is not possible)
<b>SLZA 54</b> - Supply No. 88540	protective cover above the recessed machines
<b>SLZA 54A</b> - Supply No. 88541	protective cover above the wall-mounted machines